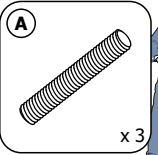
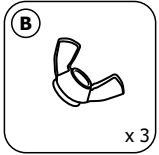
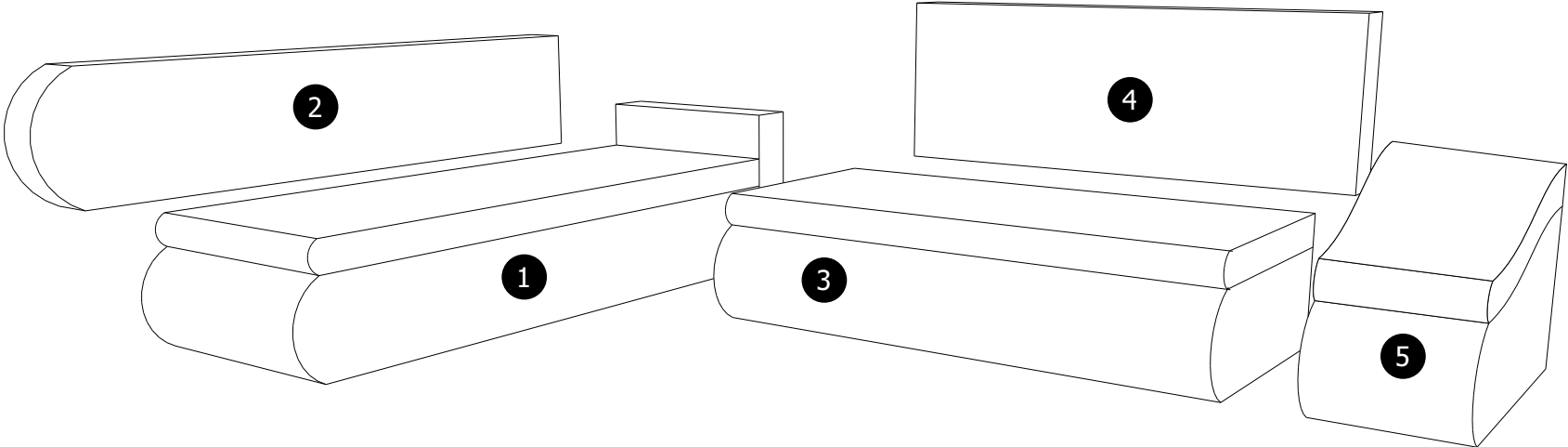
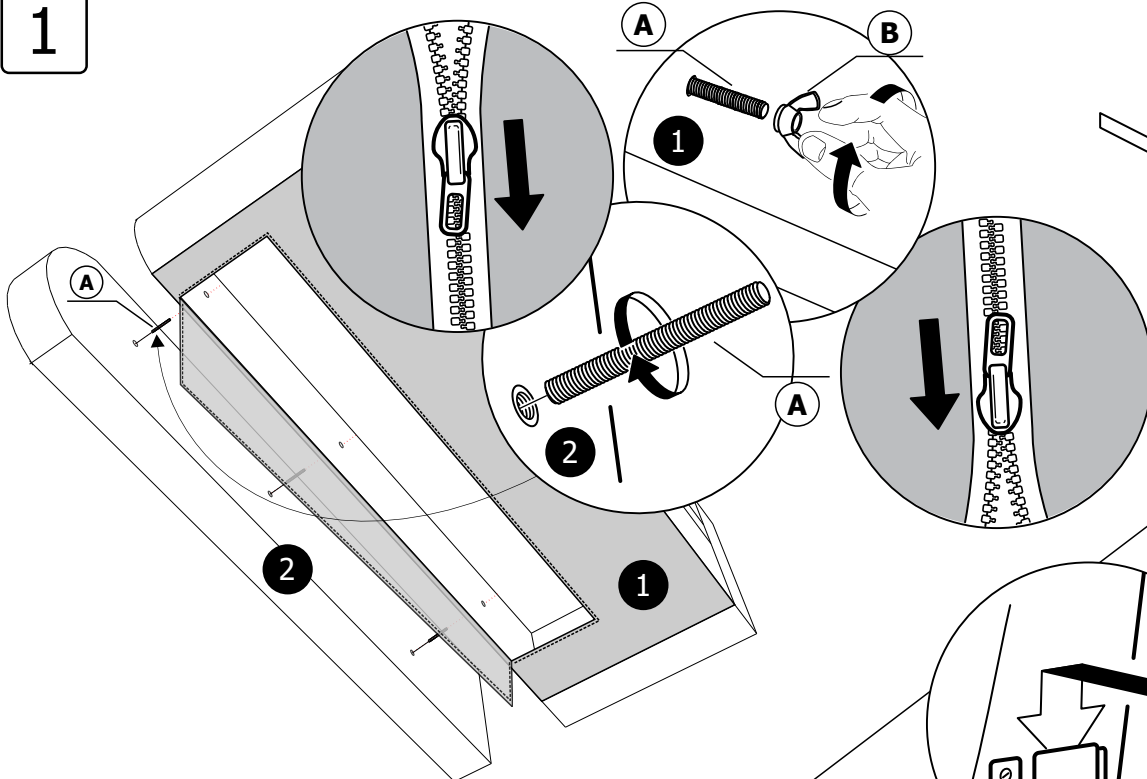


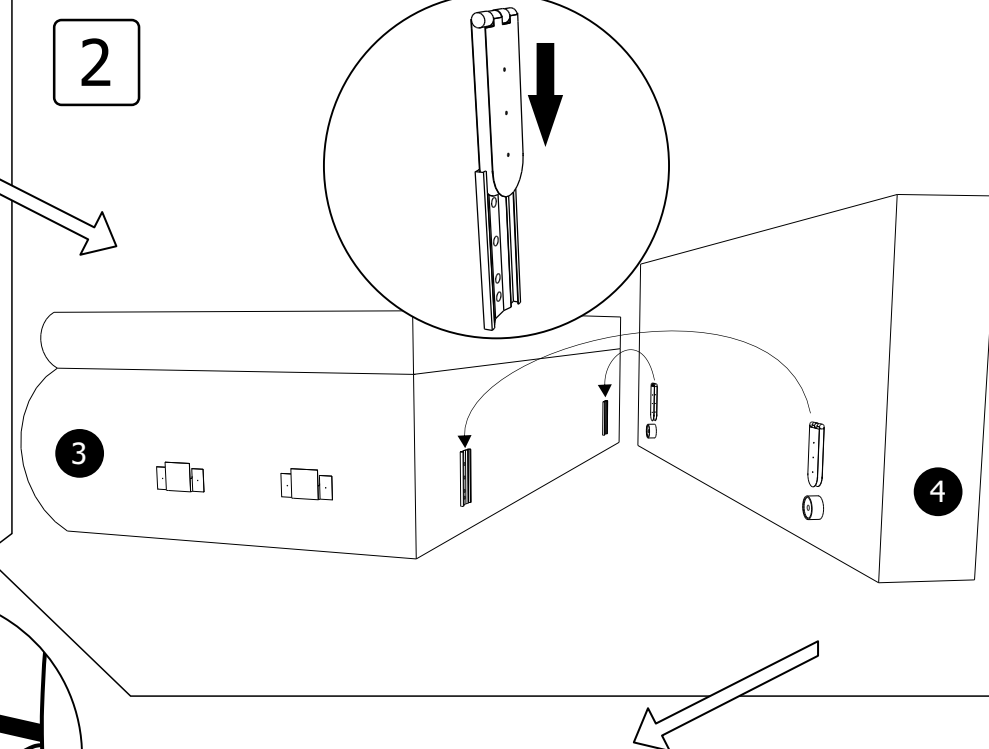
ONTARIO



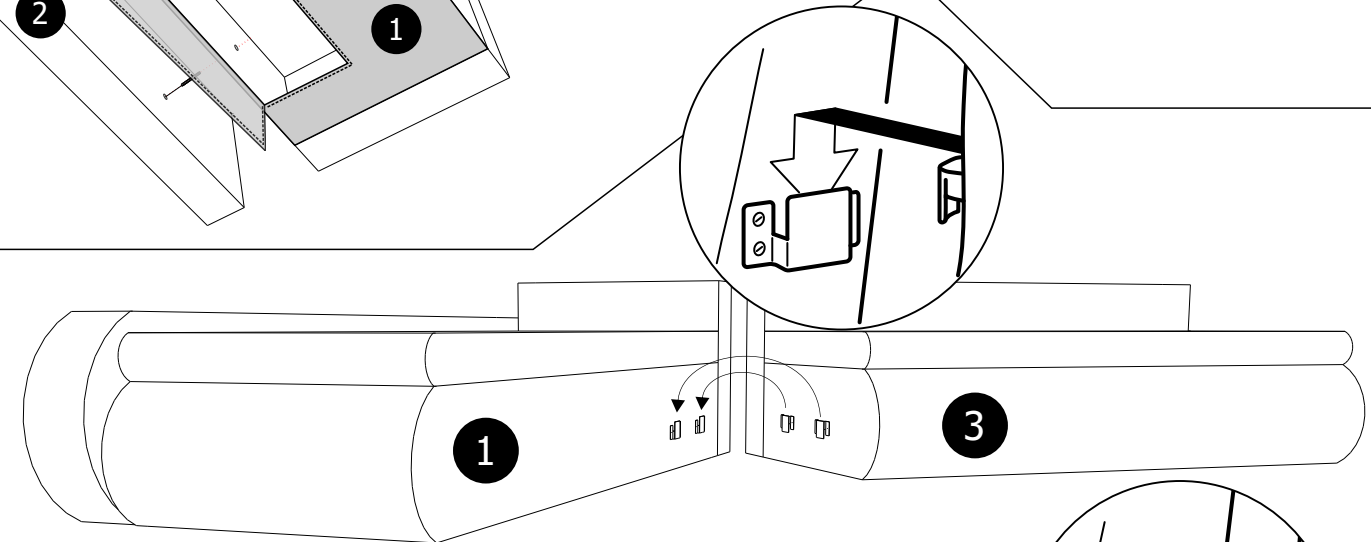
1



2



3



4

