

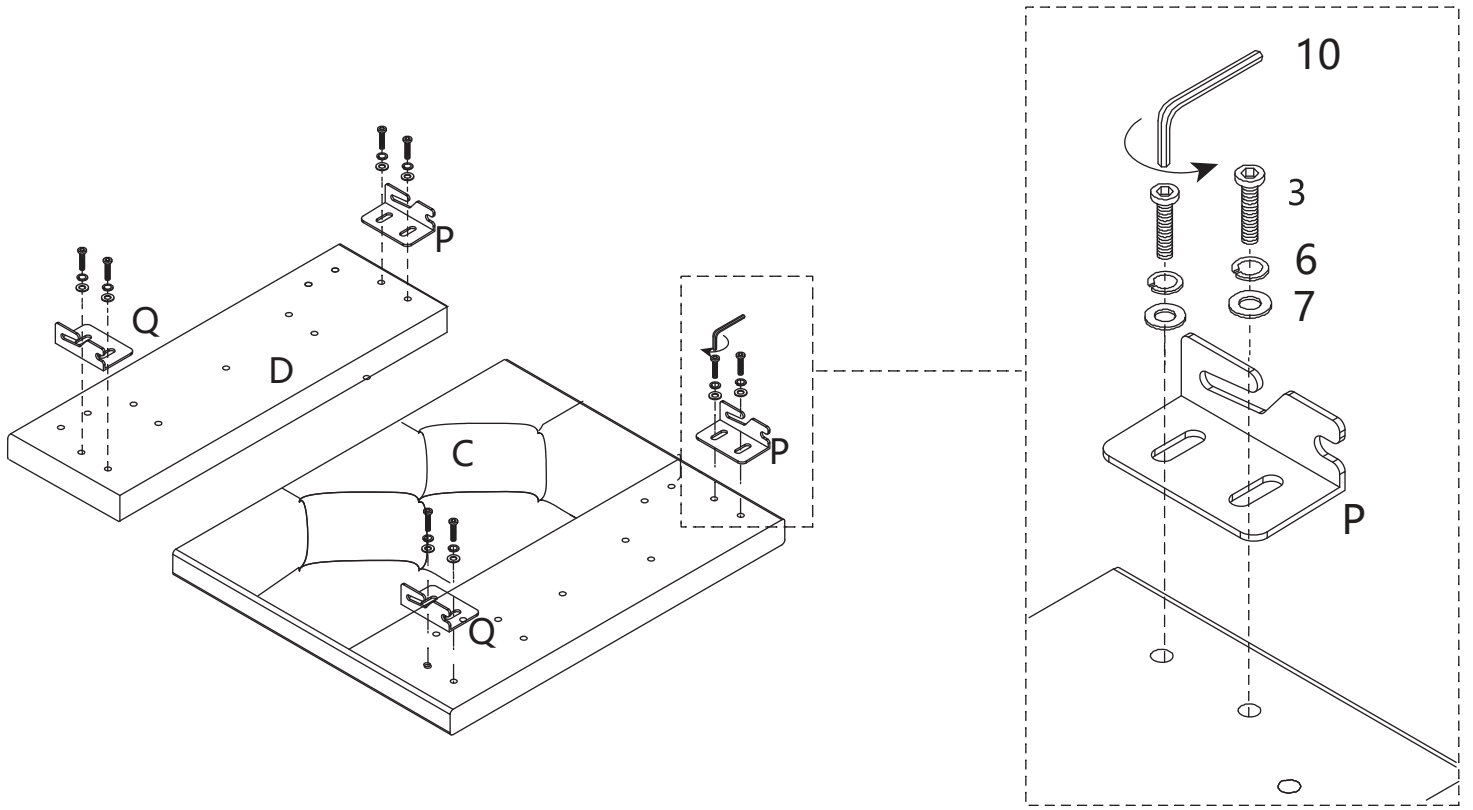
HARDWARELIST

Label	Picture	Description	Qty	Label	Picture	Description	Qty
1		Bolt M8x20	x18	6		Spring Washer	x16
2		Bolt M8x40	x8	7		Flat washer	x16
3		Bolt M8x30	x22	8		Nut M8	x8
4		Hiding Pad	x16	9		Nail	x50
5			x6				

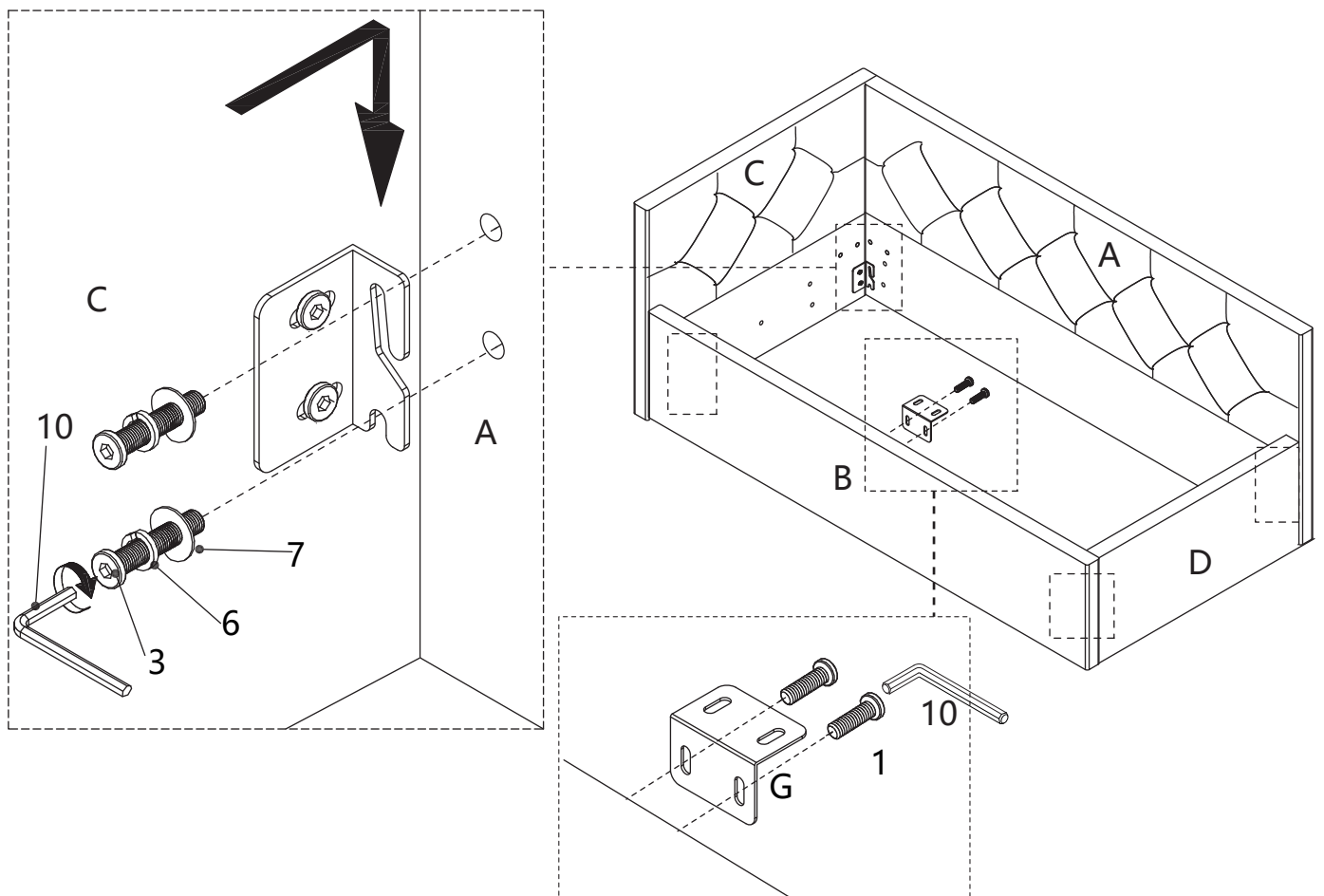
TOOL list

Label	Picture	Description	Qty
10		Allen key	x1
11		Spanner	x1

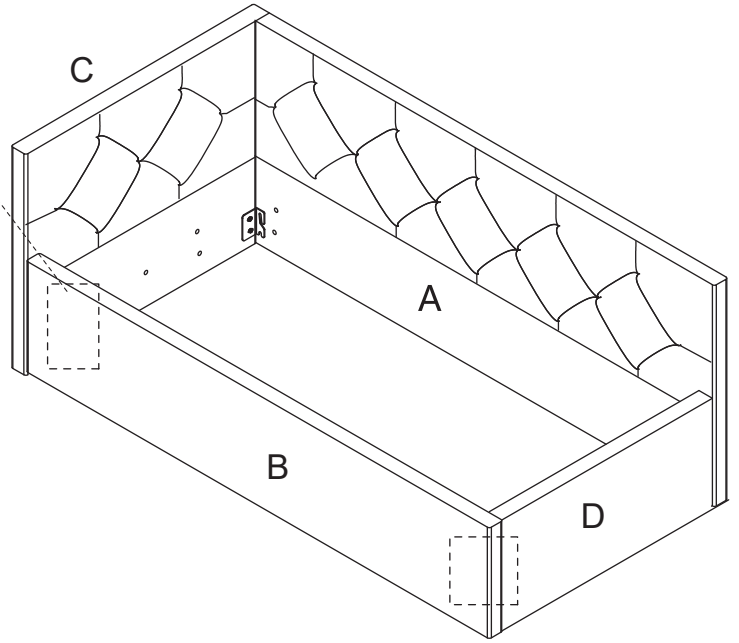
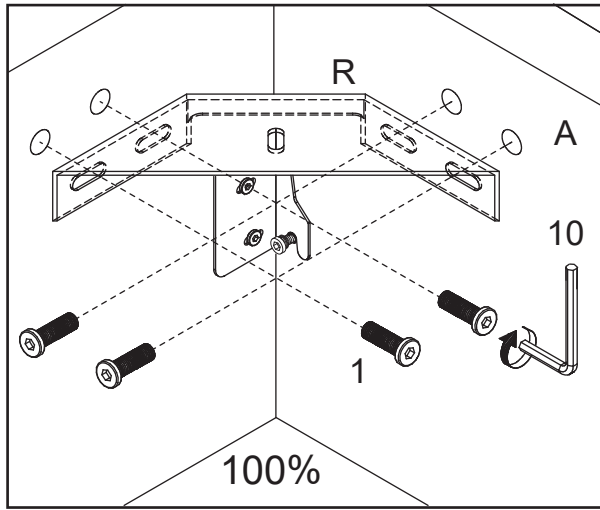
STEP:1



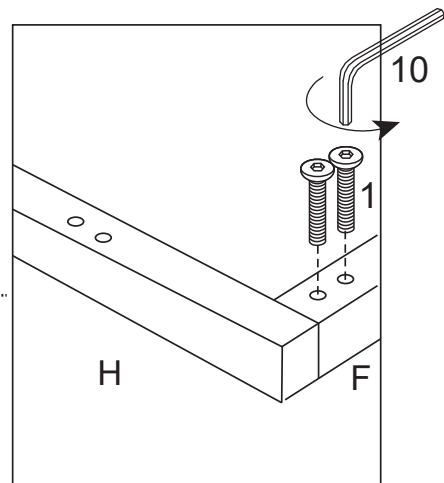
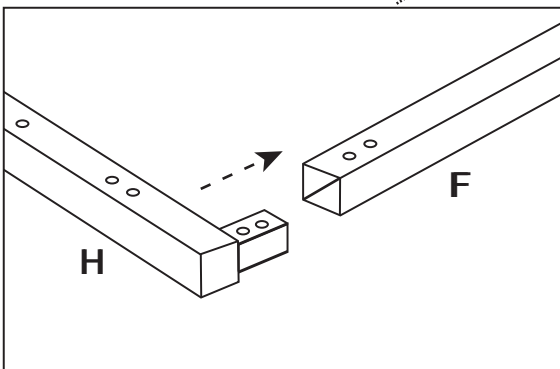
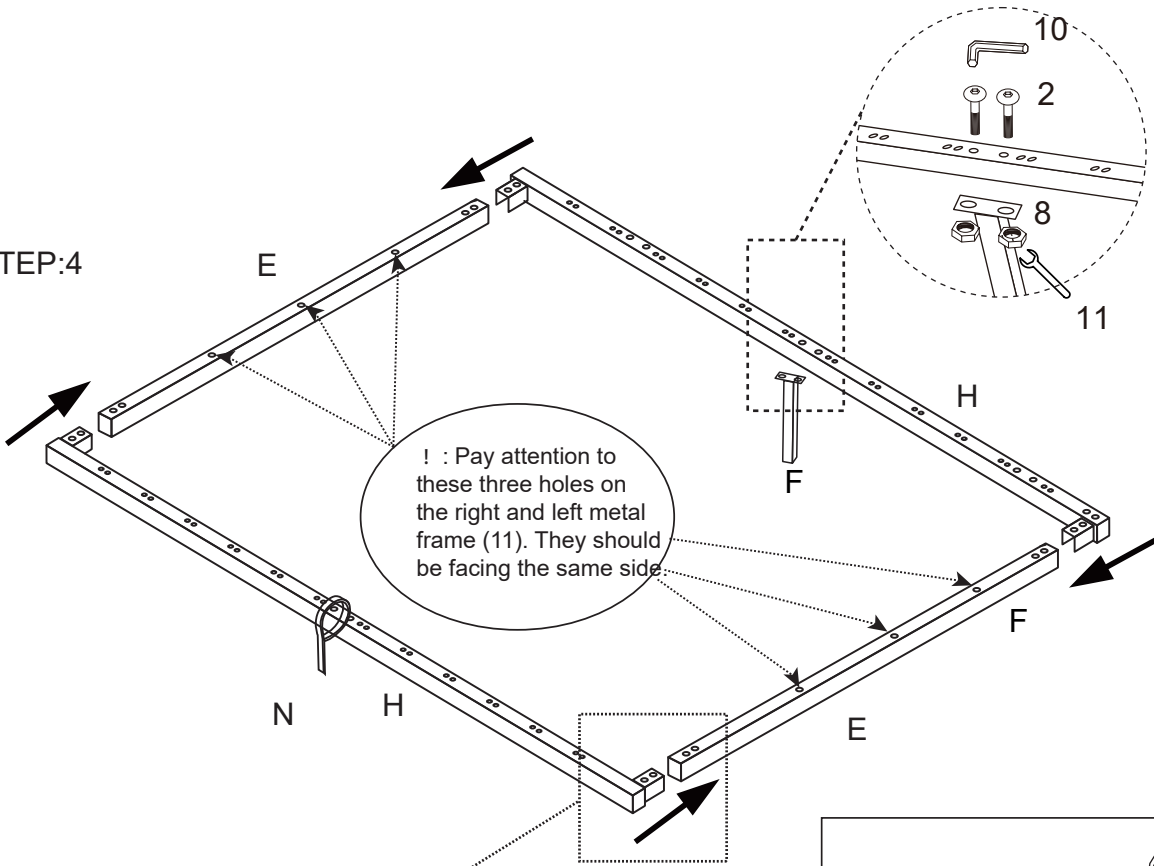
STEP:2



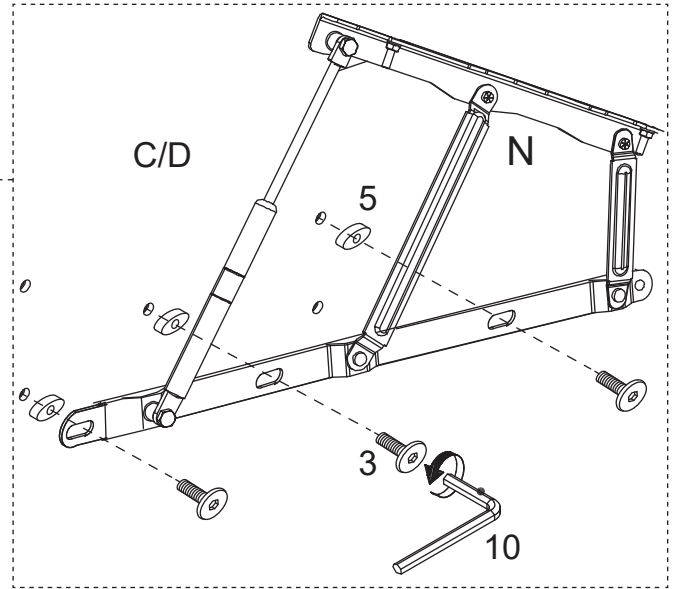
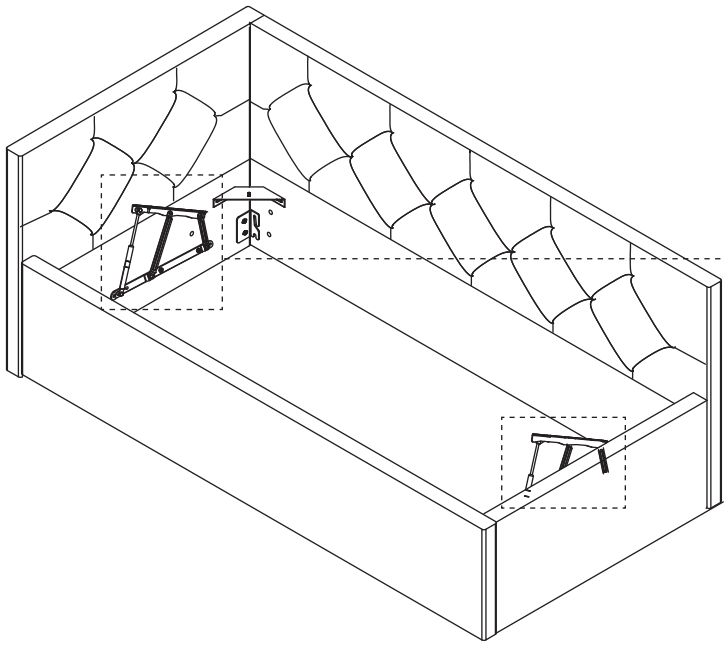
STEP:3



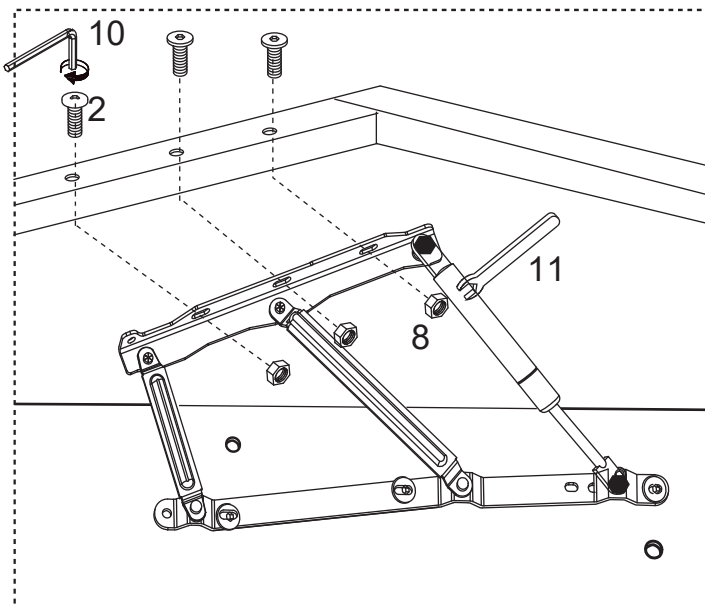
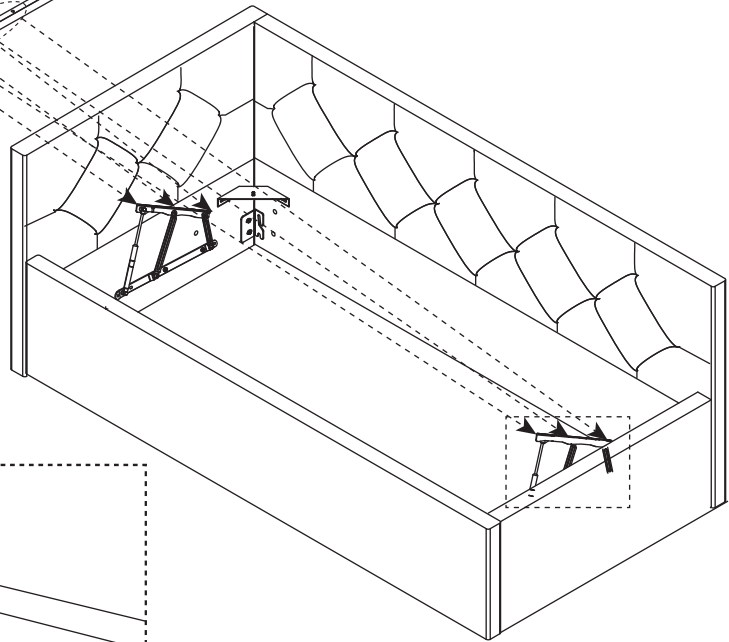
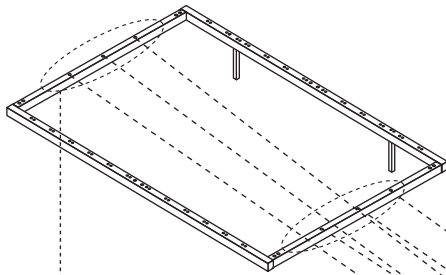
STEP:4



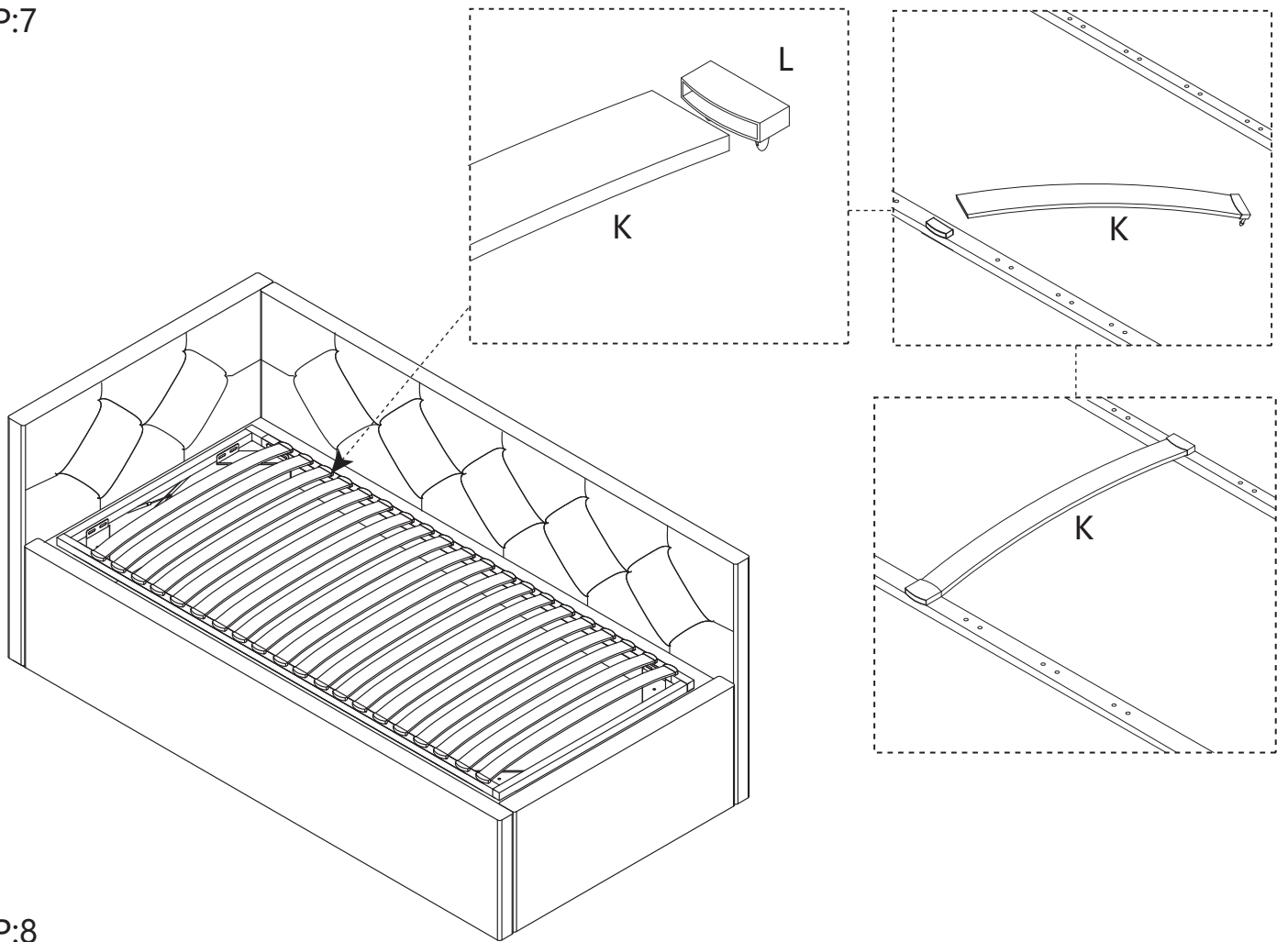
STEP:5



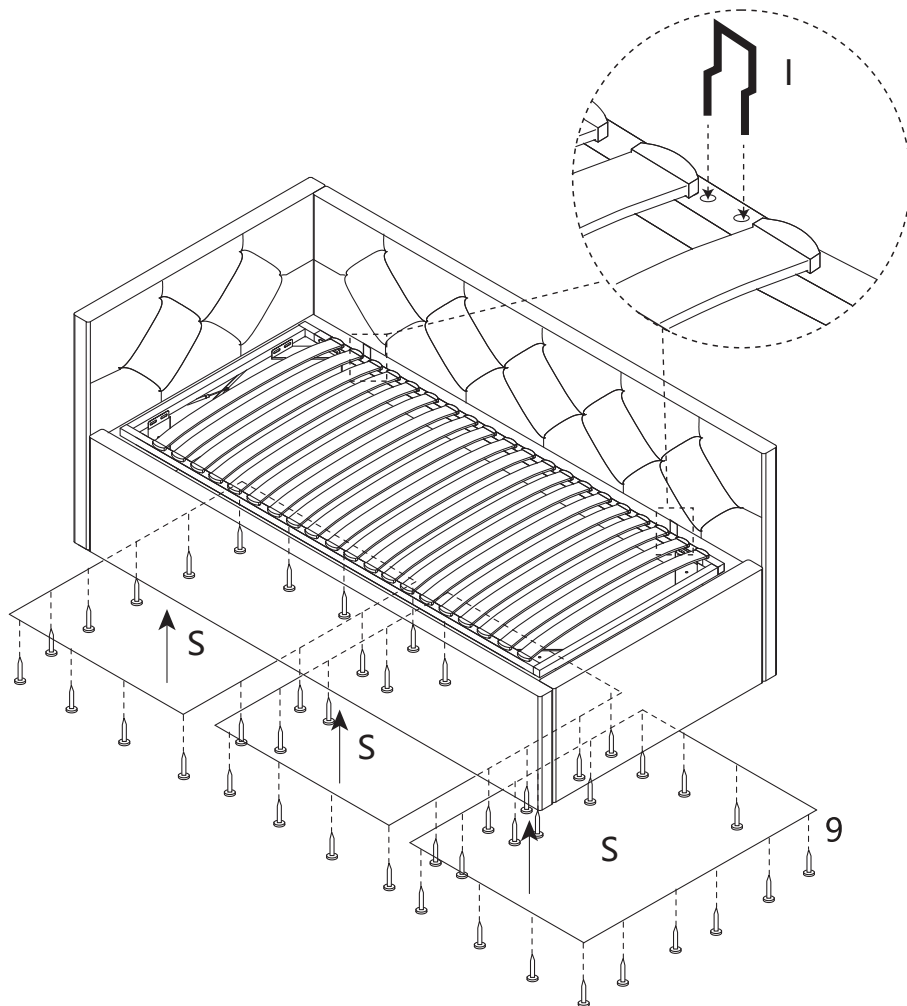
STEP:6



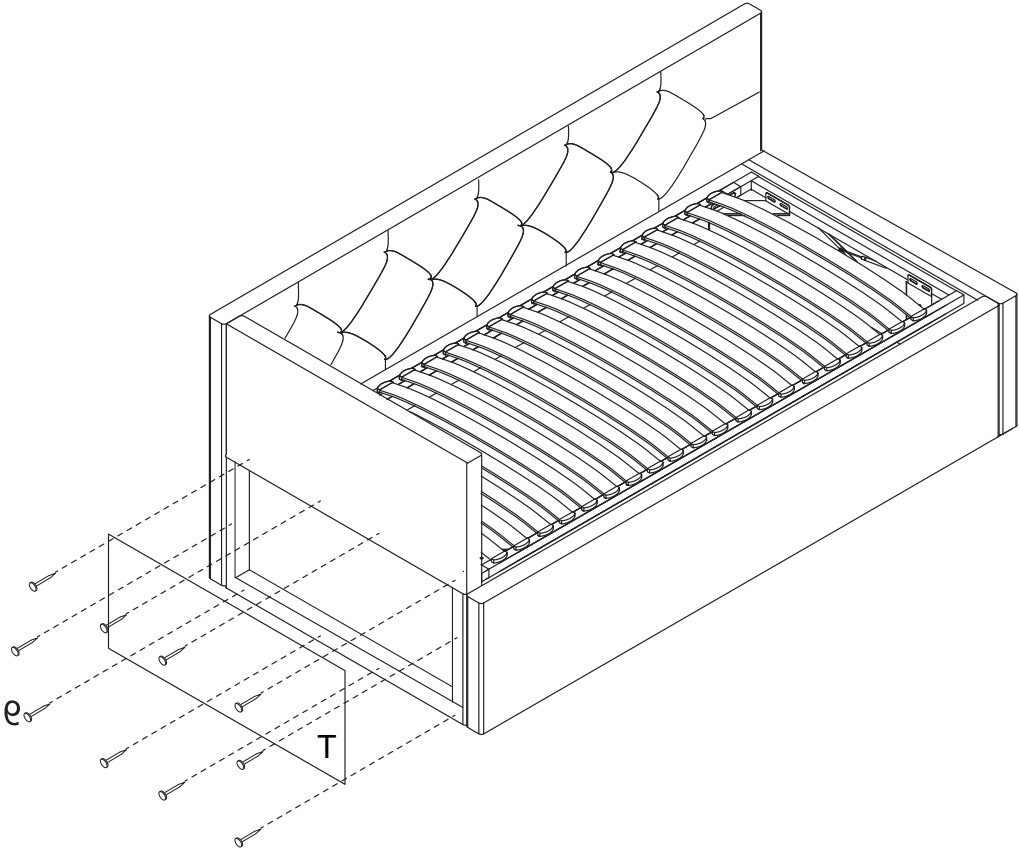
STEP:7



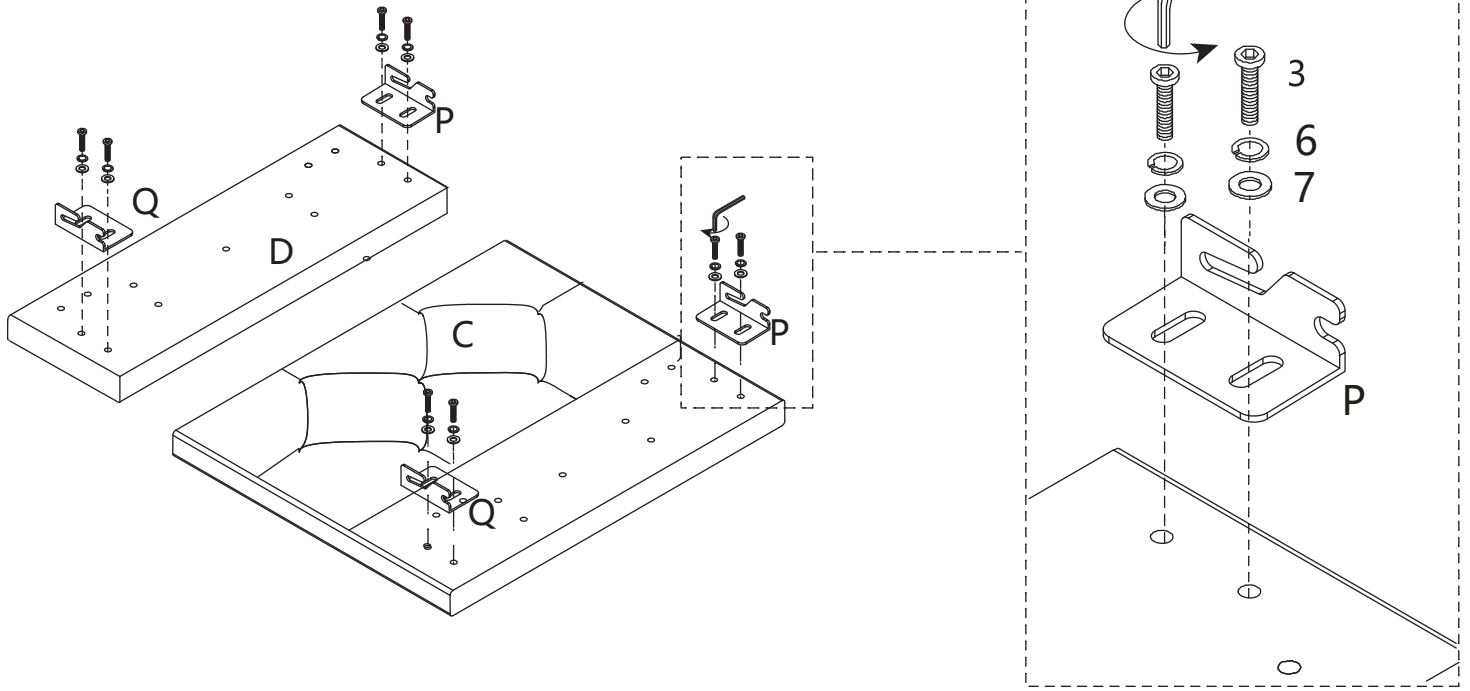
STEP:8



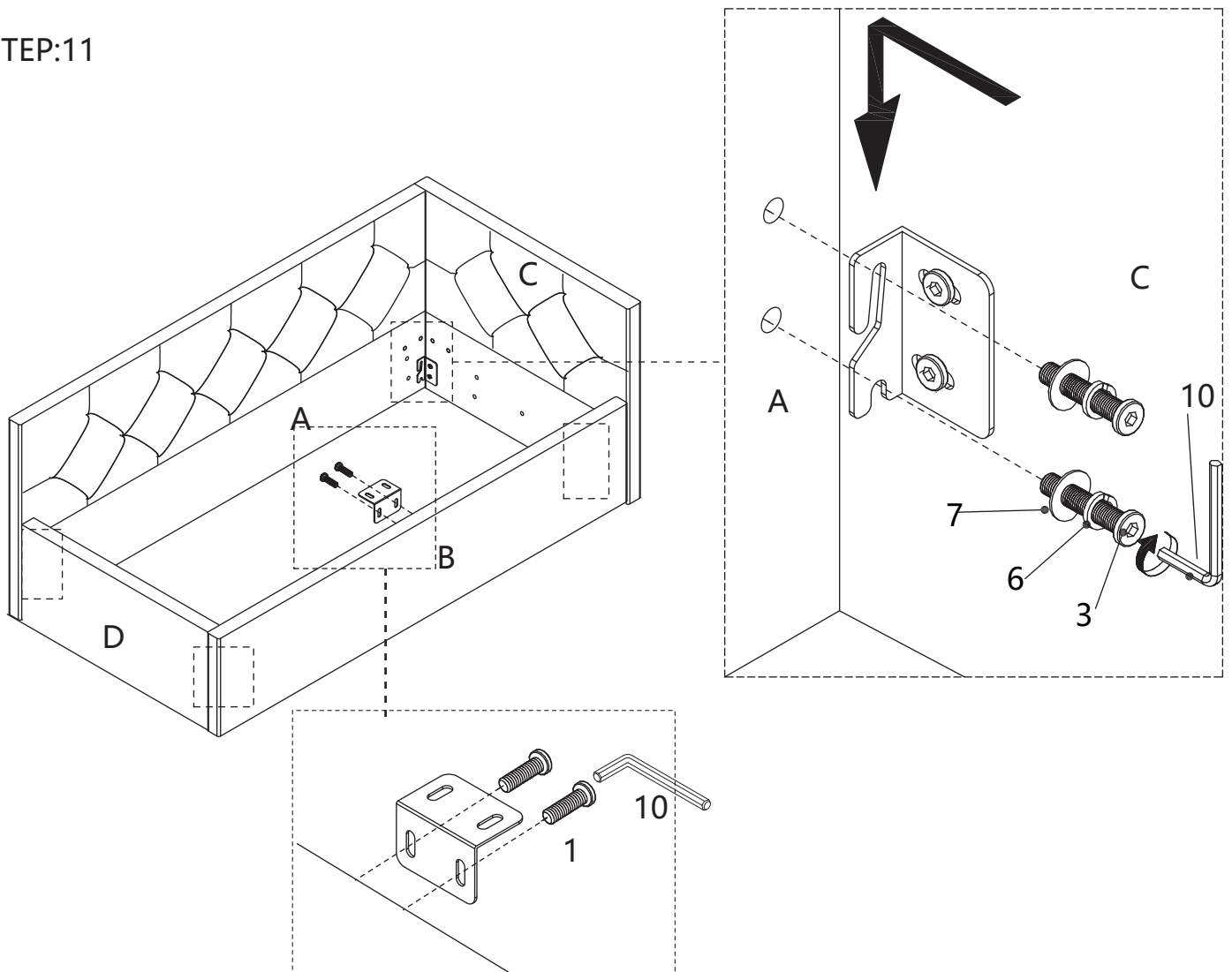
STEP:9



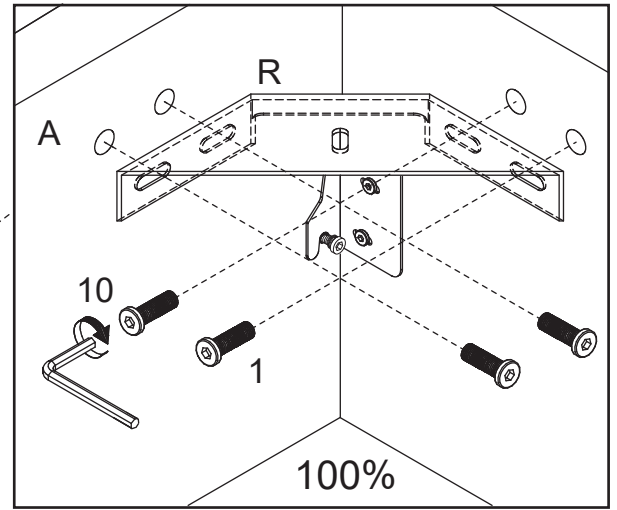
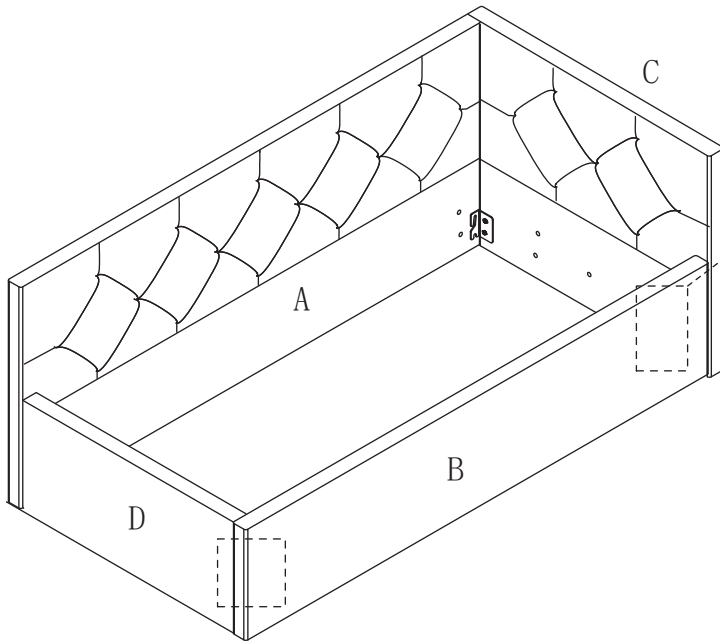
STEP:10



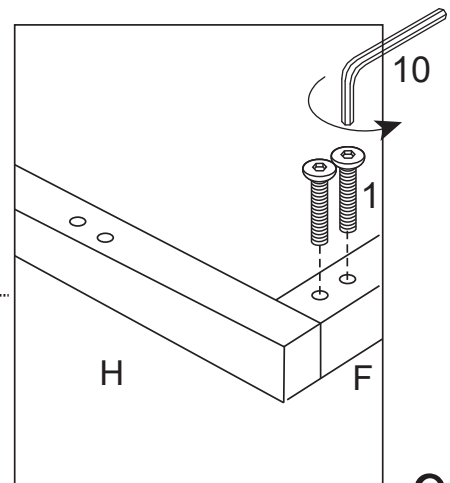
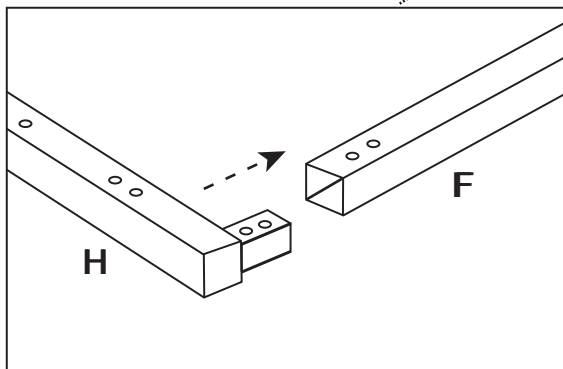
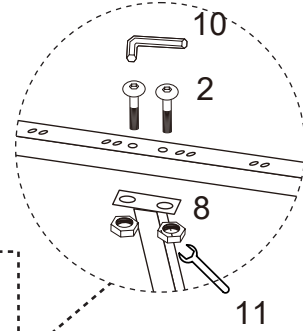
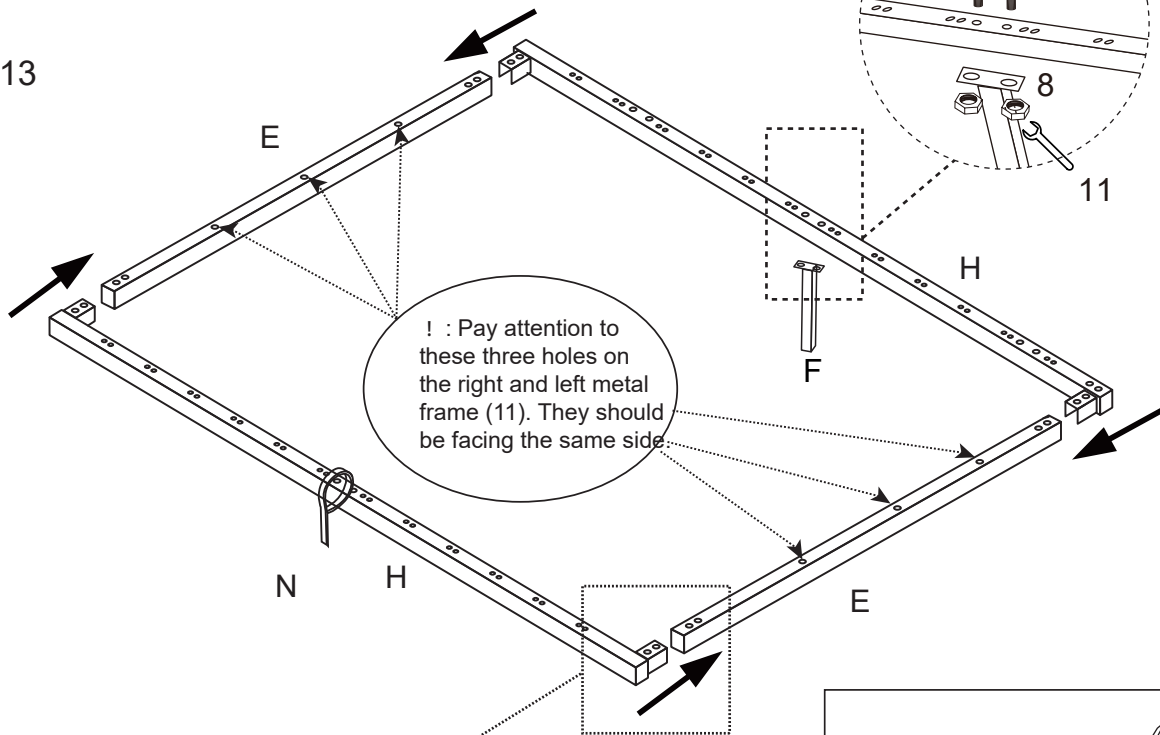
STEP:11



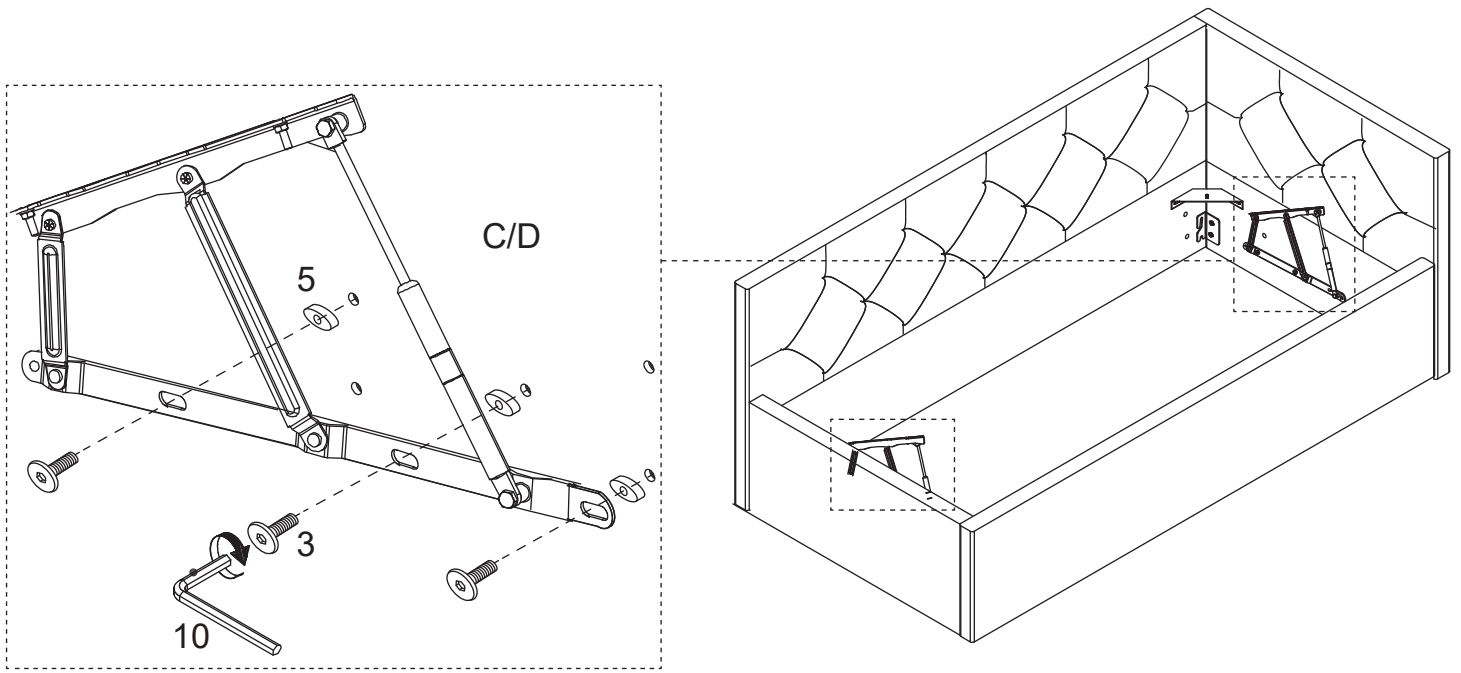
STEP:12



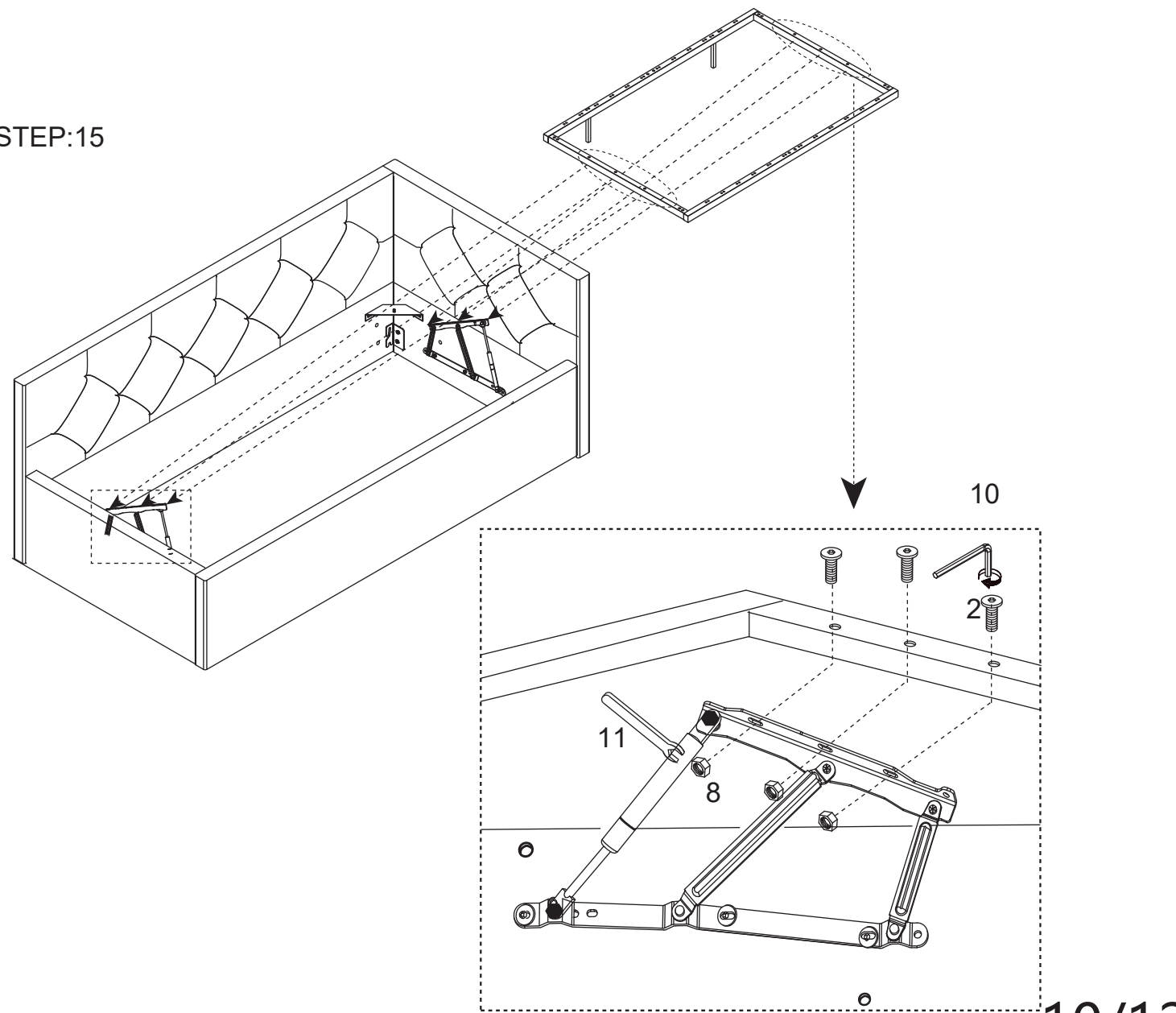
STEP:13



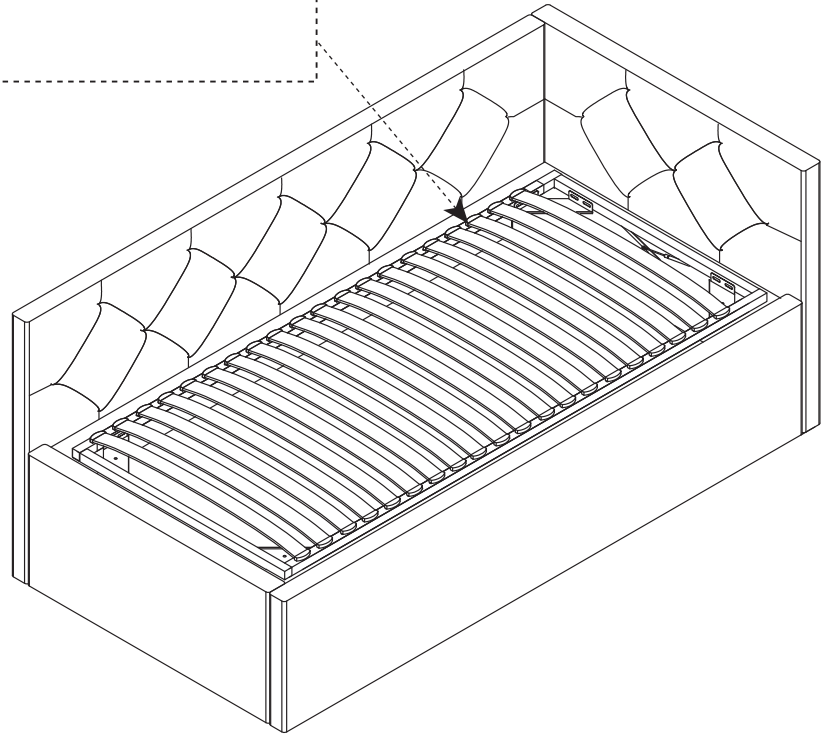
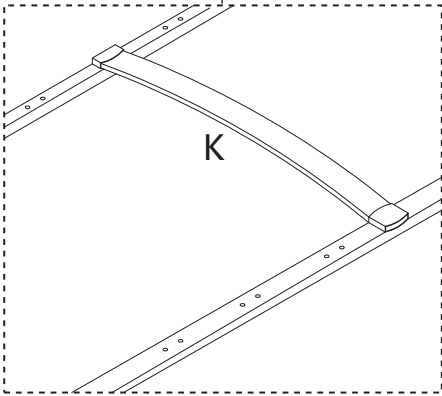
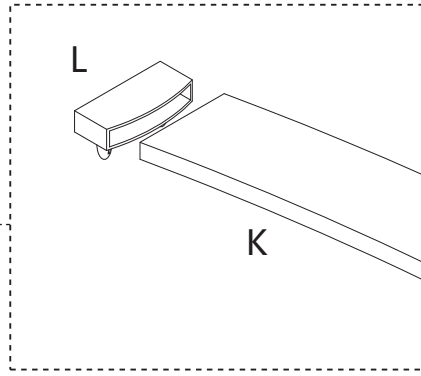
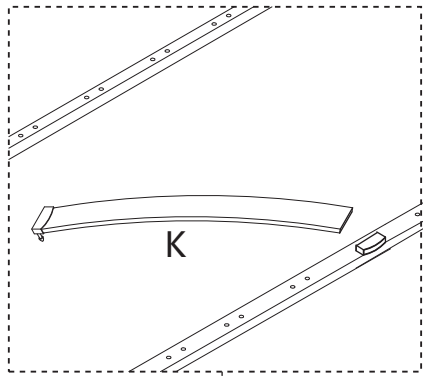
STEP:14



STEP:15



STEP:(6



STEP:(7

