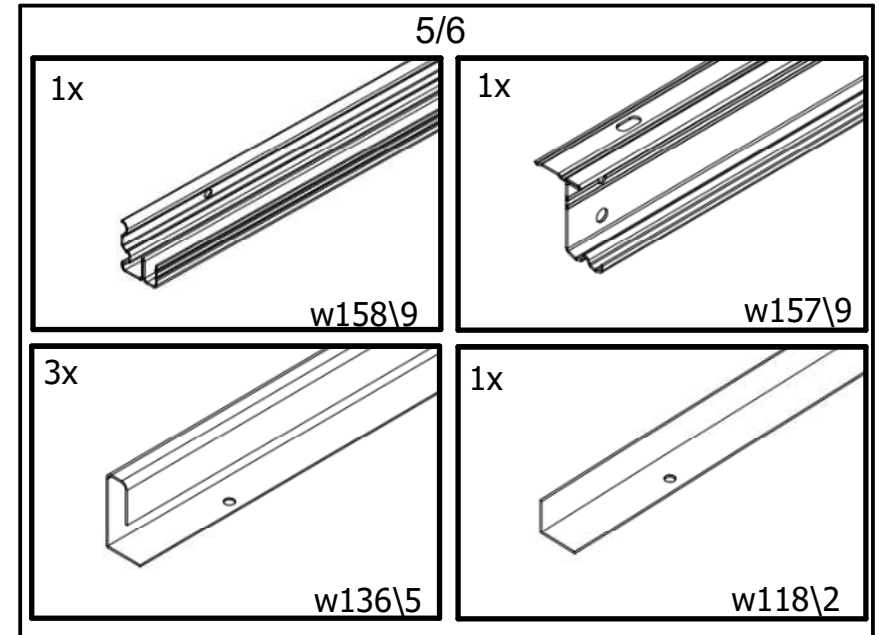
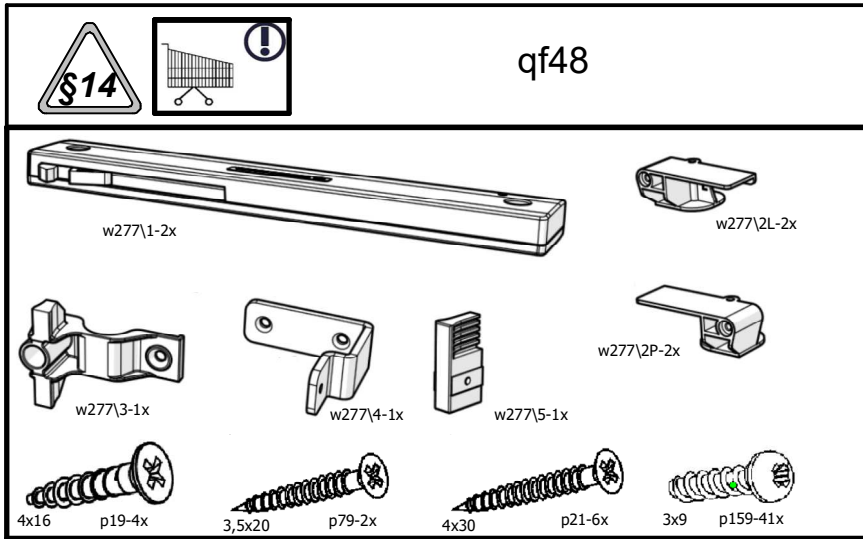
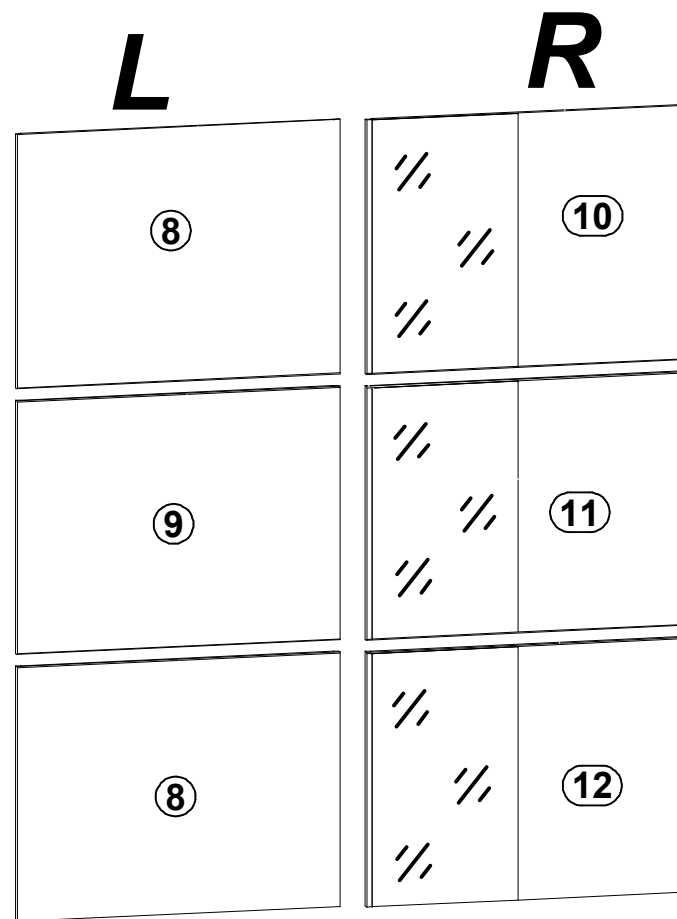
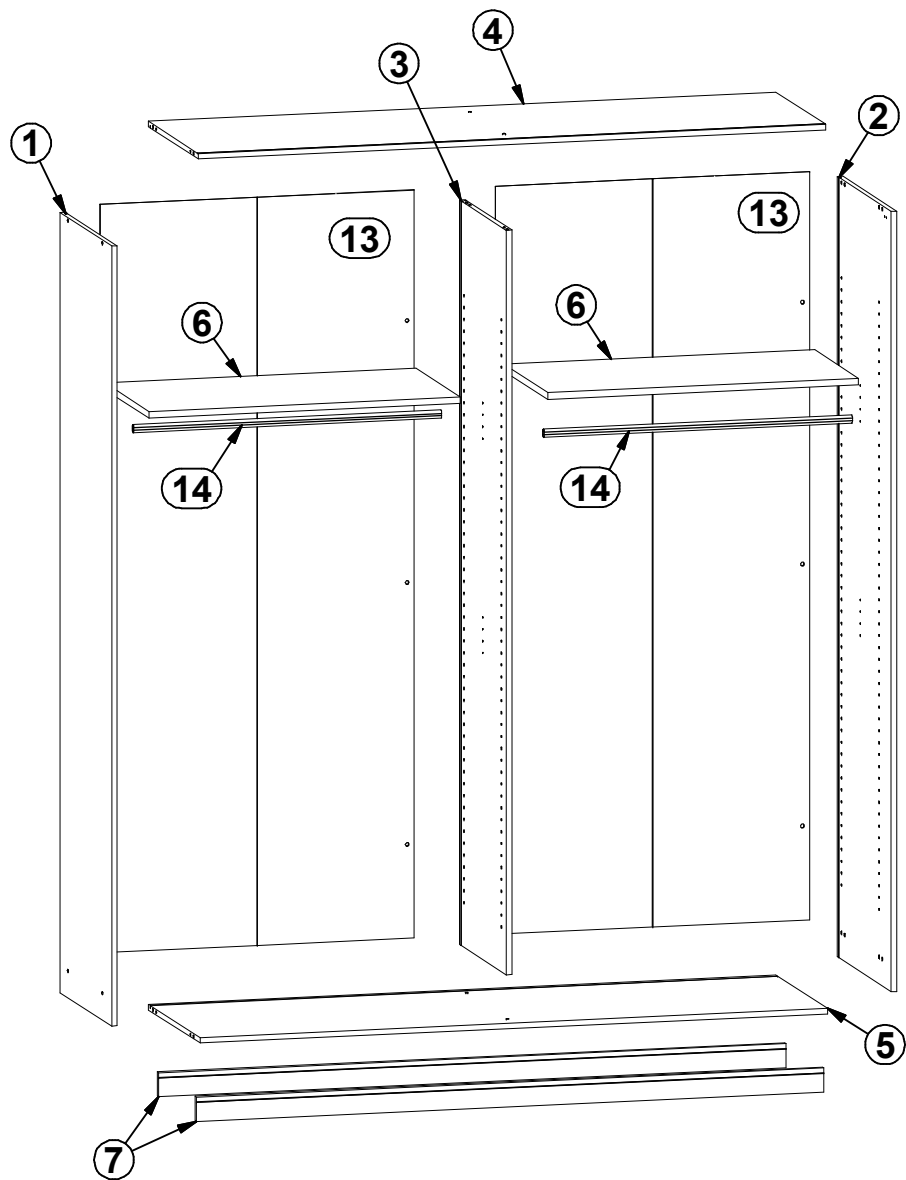


| A | B1 | B2 | C1 | C2 | C3 | D |
|----|----------|----|------|-----|-----|-----|
| 1 | F72-1001 | -4 | 2097 | 525 | 15 | 3/6 |
| 2 | F72-1002 | -4 | 2097 | 554 | 15 | 3/6 |
| 3 | F72-1003 | -4 | 2001 | 480 | 15 | 4/6 |
| 4 | F73-3001 | -4 | 1719 | 509 | 15 | 2/6 |
| 5 | F73-3002 | -5 | 1719 | 525 | 15 | 2/6 |
| 6 | F73-3003 | -3 | 852 | 450 | 18 | 4/6 |
| 7 | F73-4001 | -3 | 1719 | 65 | 15 | 2/6 |
| 8 | F73-7001 | -3 | 885 | 684 | 15 | 1/6 |
| 9 | F73-7002 | -5 | 885 | 682 | 15 | 1/6 |
| 10 | F73-7003 | -3 | 885 | 684 | 18 | 6/6 |
| 11 | F73-7004 | -4 | 885 | 682 | 18 | 6/6 |
| 12 | F73-7005 | -3 | 885 | 684 | 18 | 6/6 |
| 13 | F73-9301 | -5 | 2011 | 861 | 2,5 | 3/6 |
| 14 | dr-844 | | 844 | 22 | 15 | 4/6 |



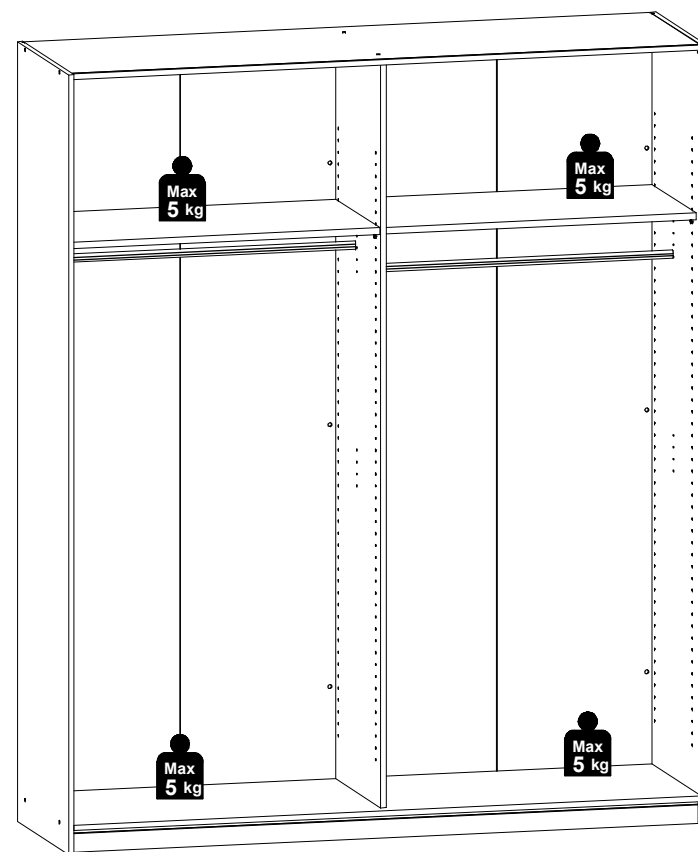
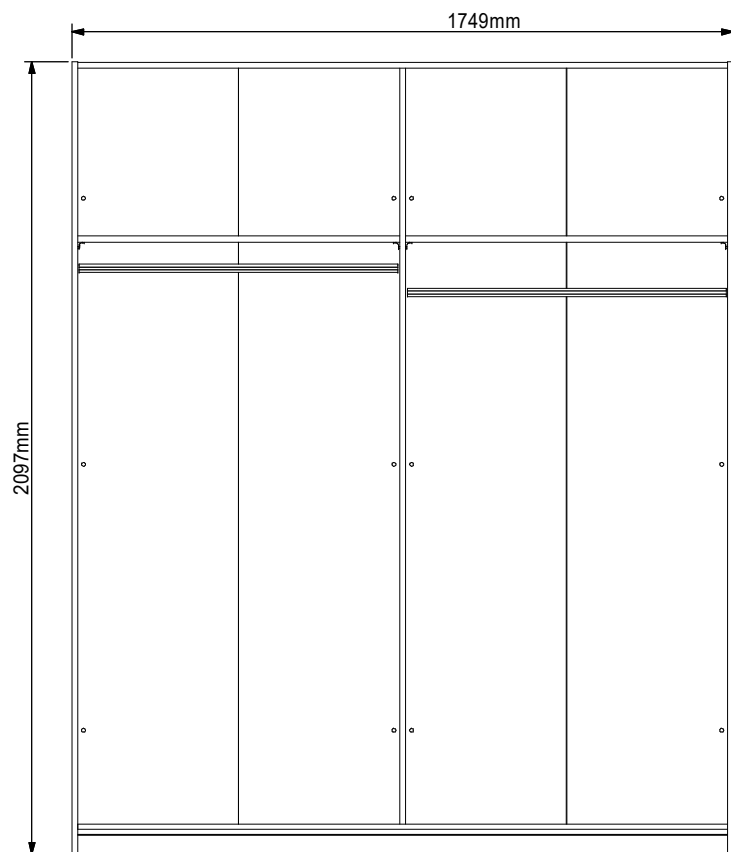


A

F73-SZF2D

13450003

4 /23



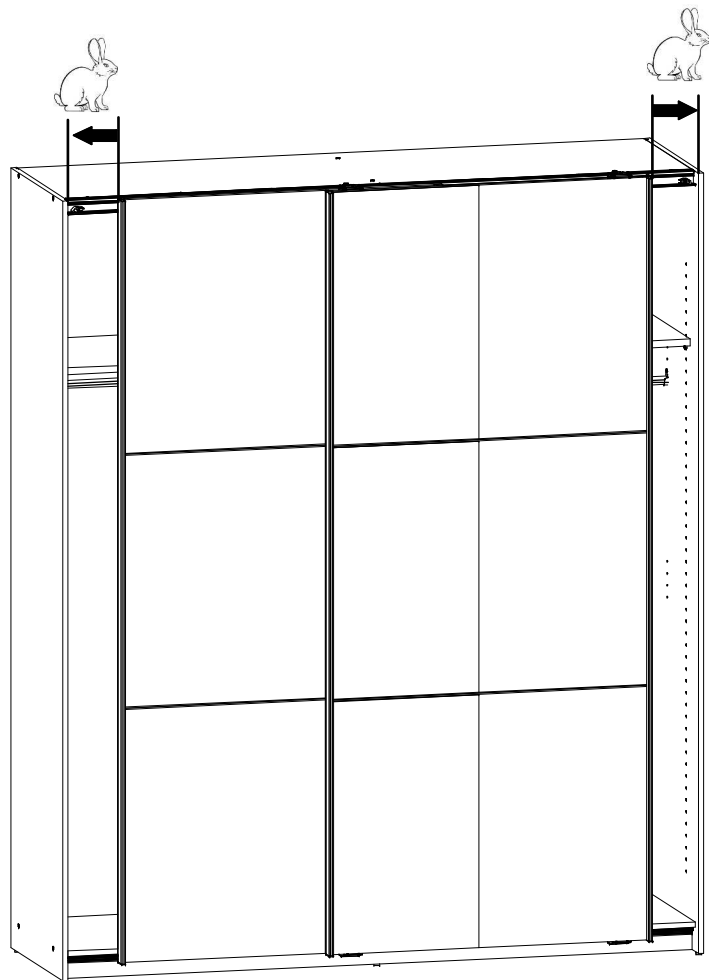
A

F73-SZF2D

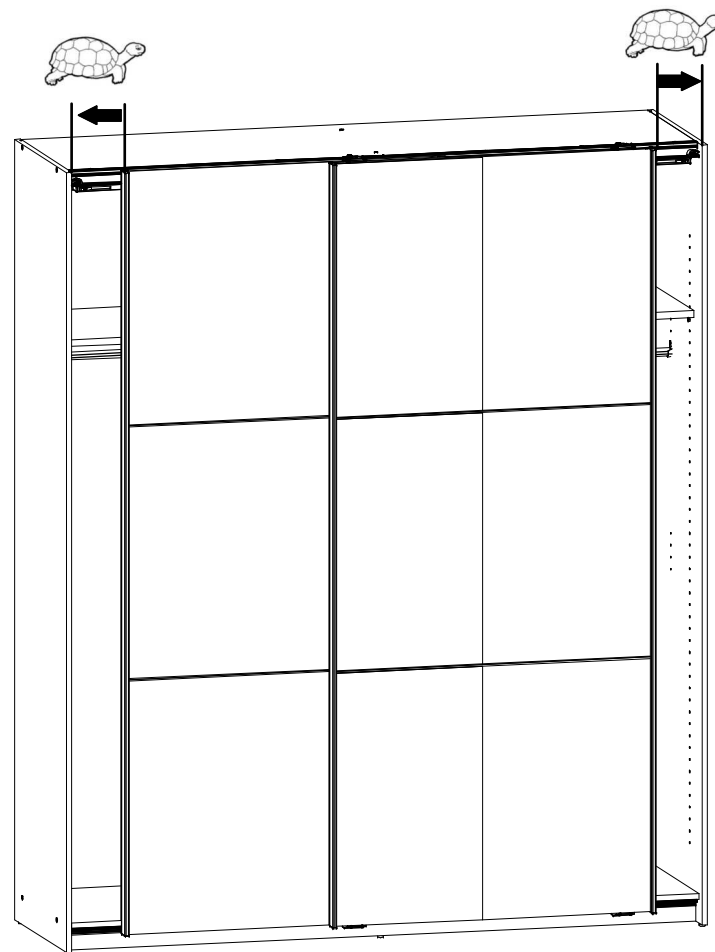
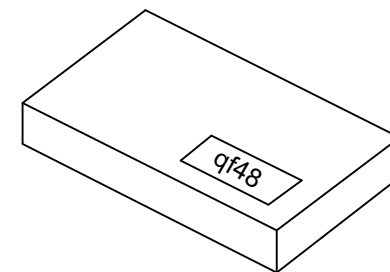
13450003

5 /23

A



B



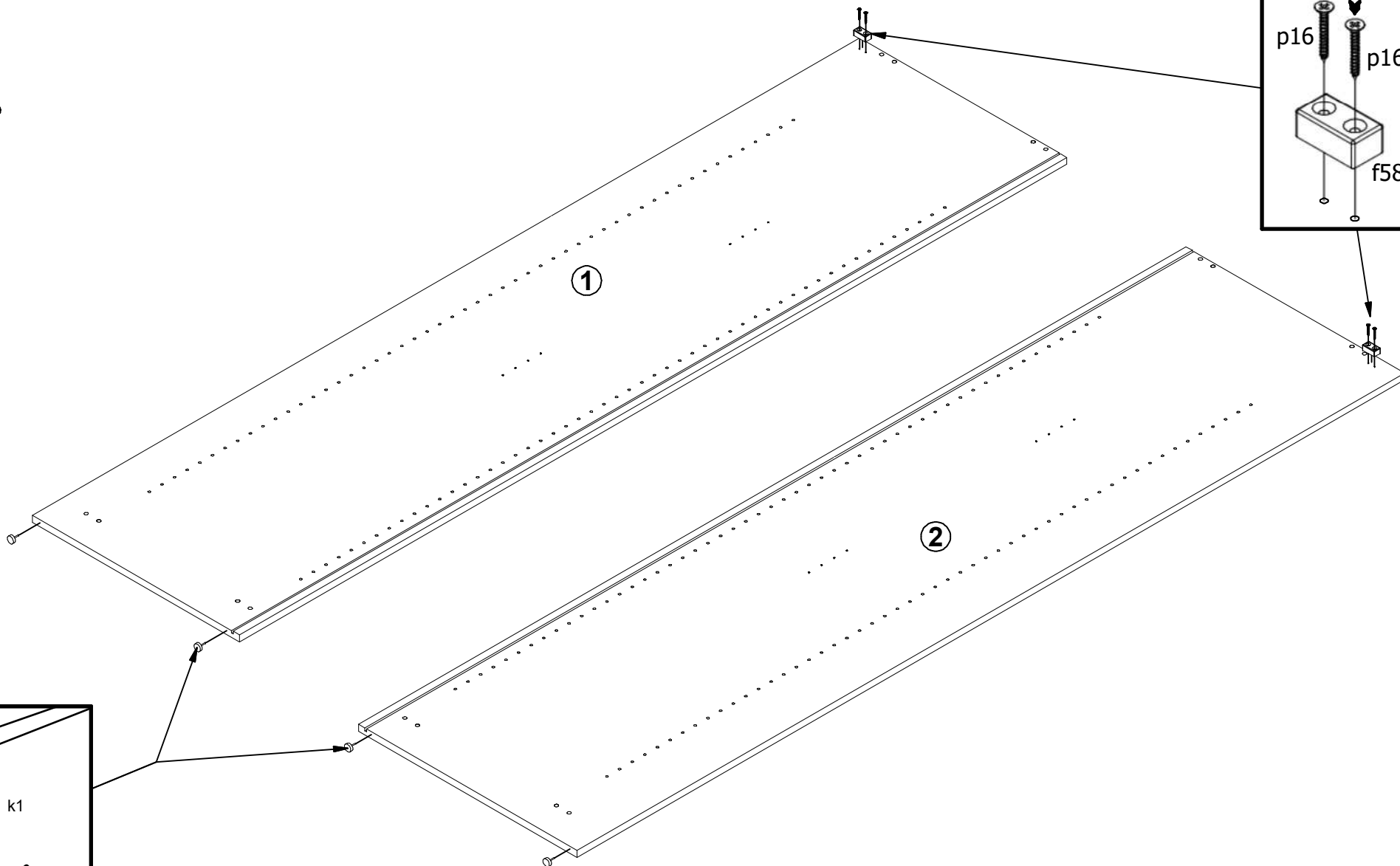
A

F73-SZF2D

13450003

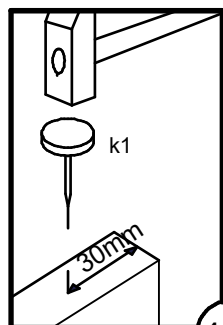
6 / 23

1

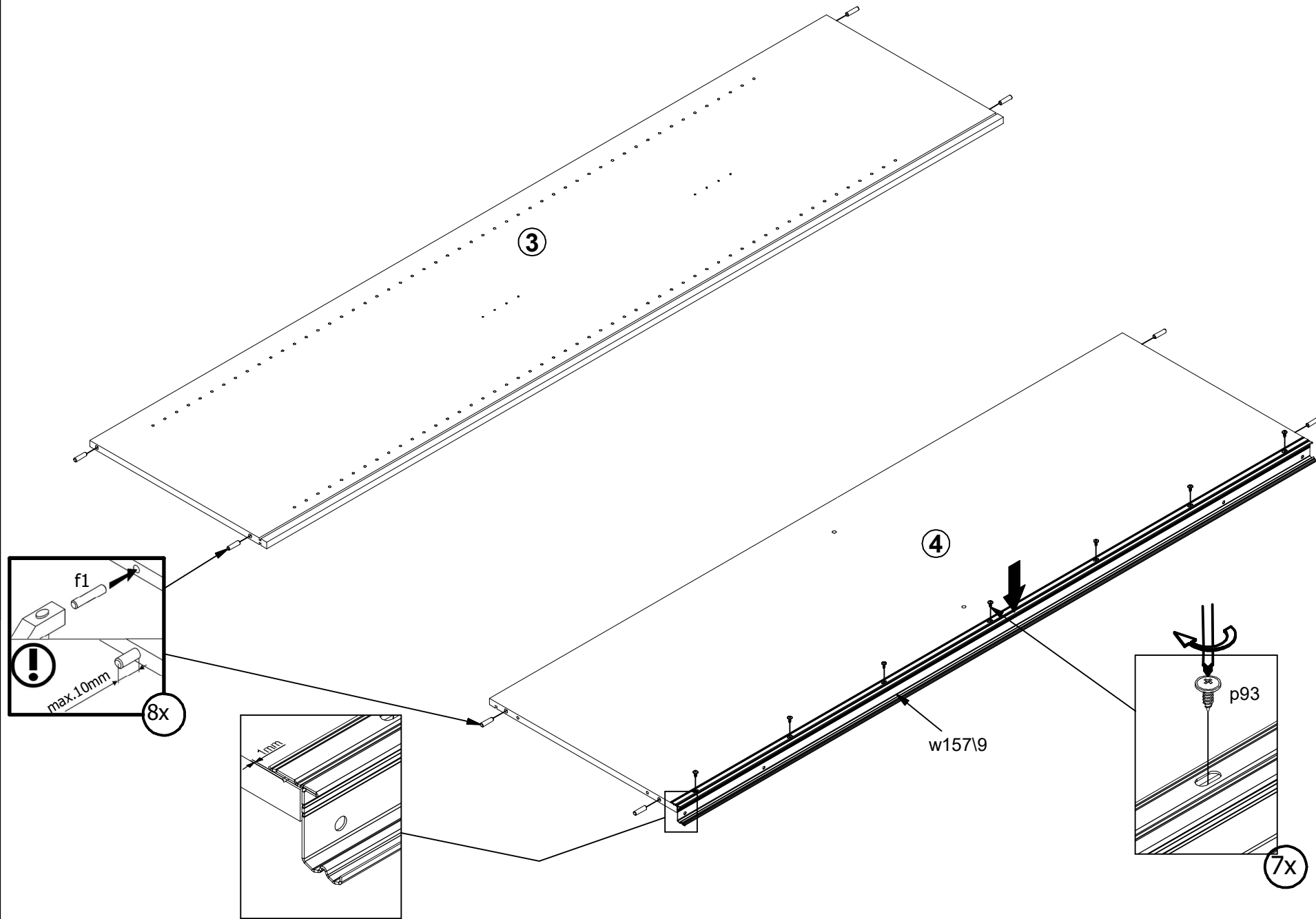


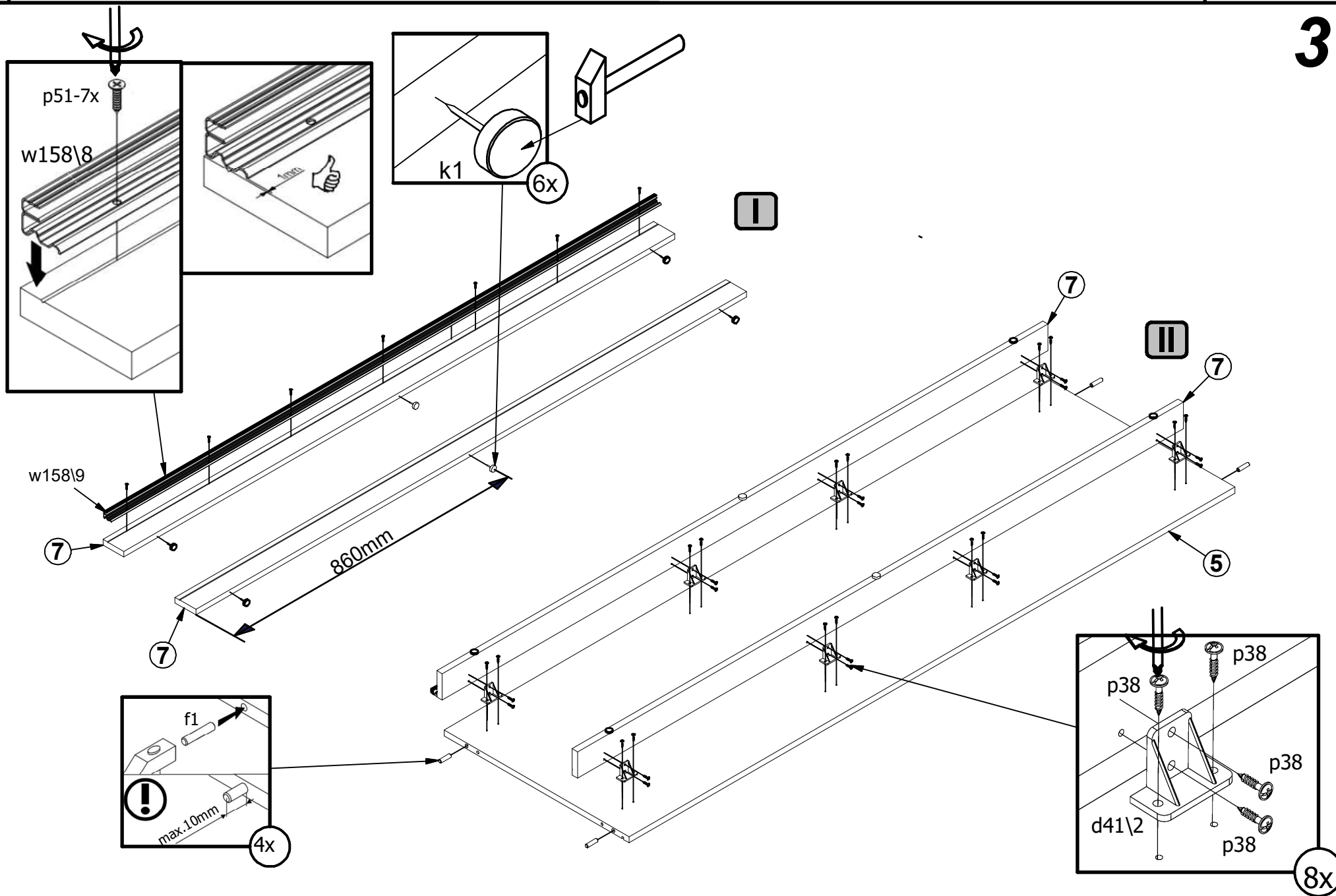
1

2

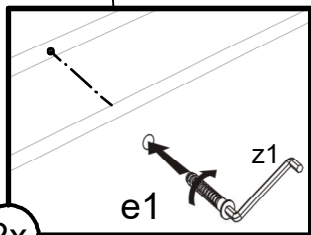
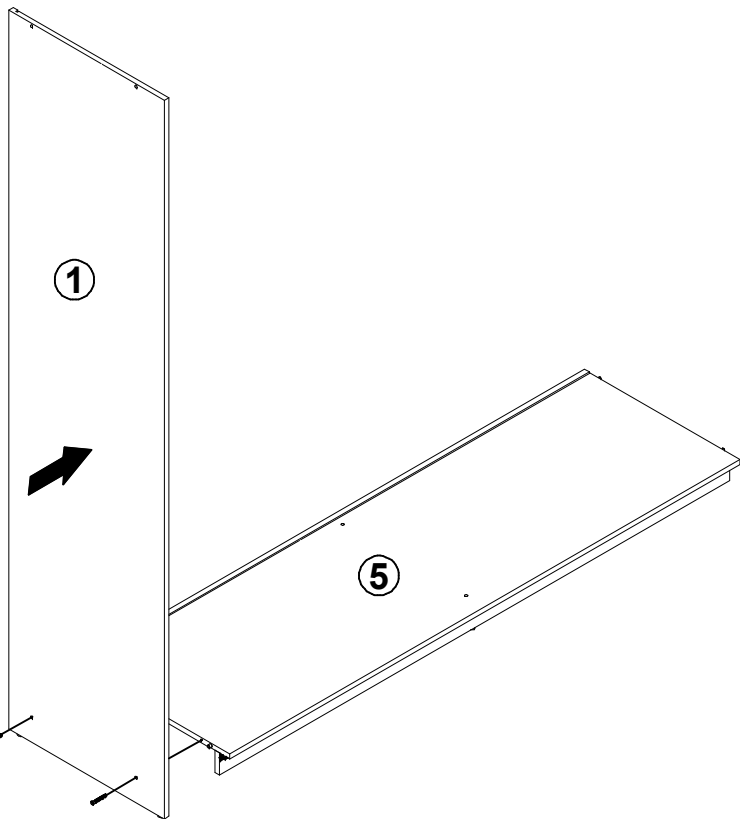


4x



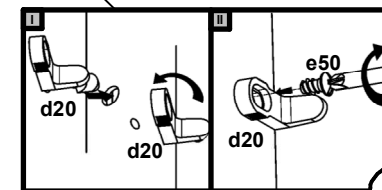
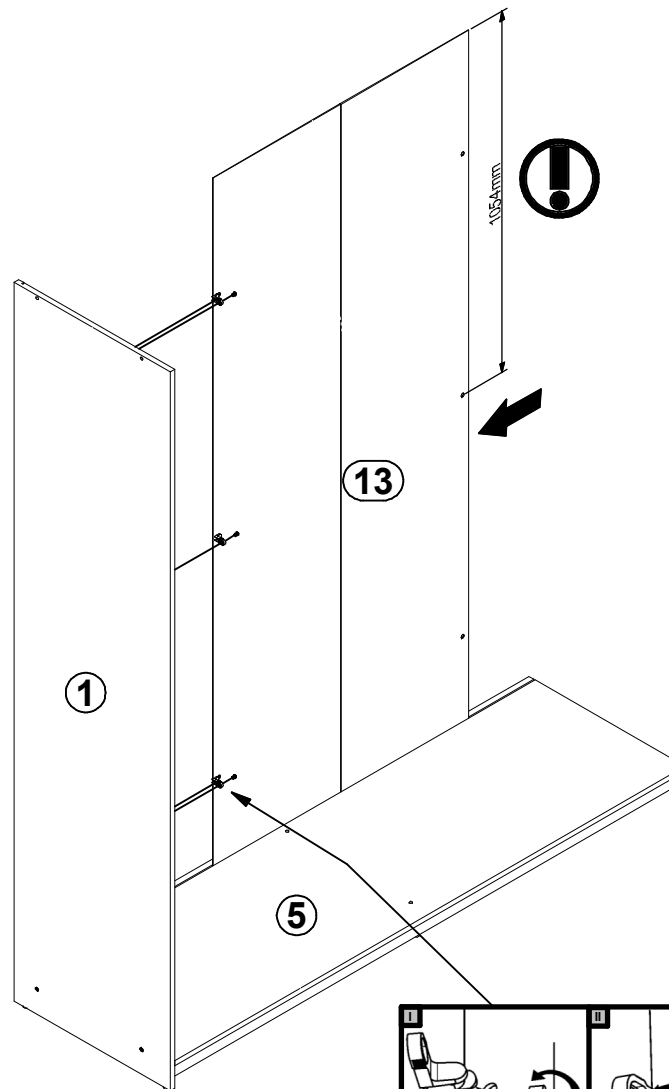


4



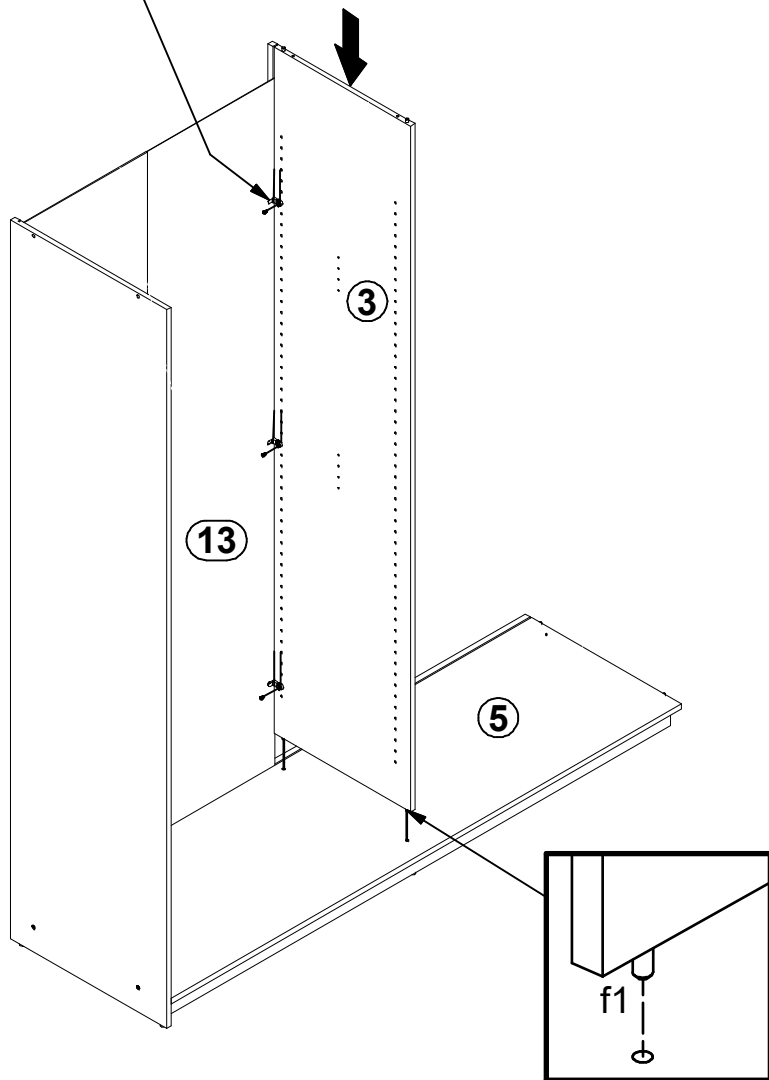
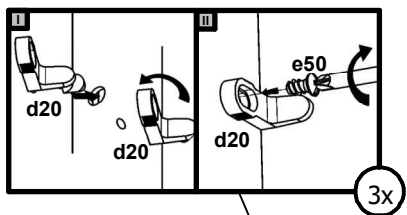
2x

5

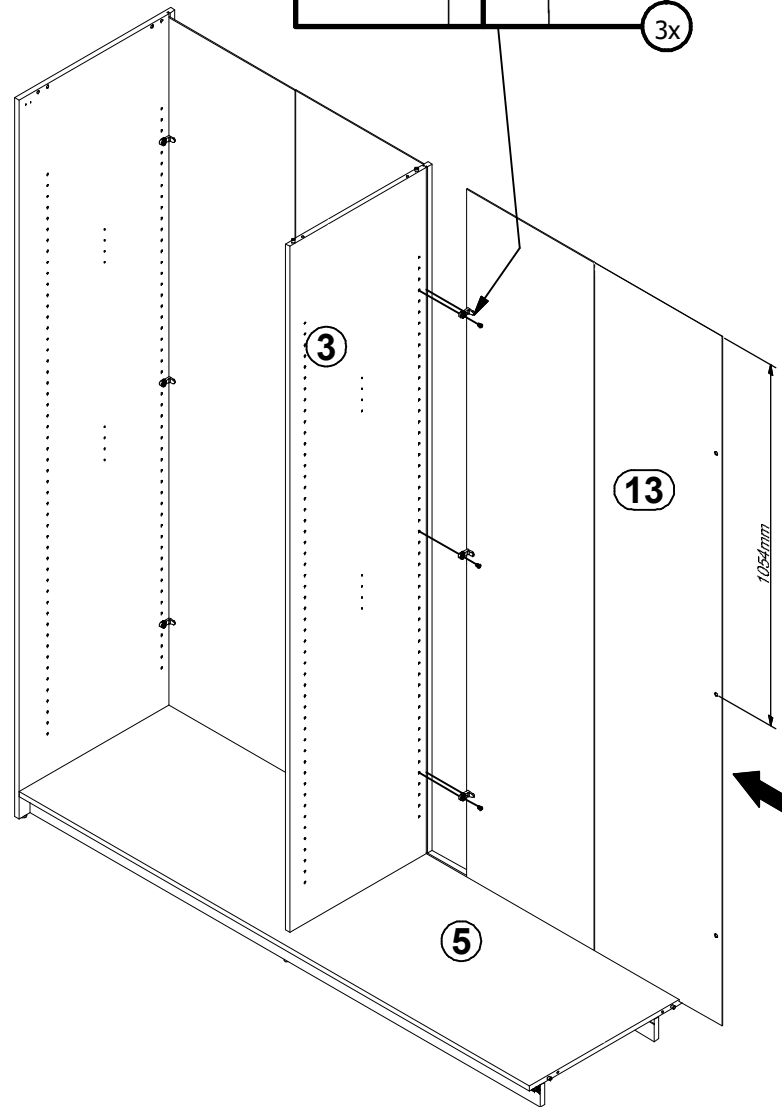
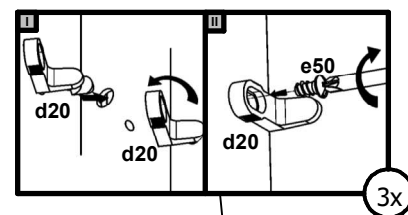


3x

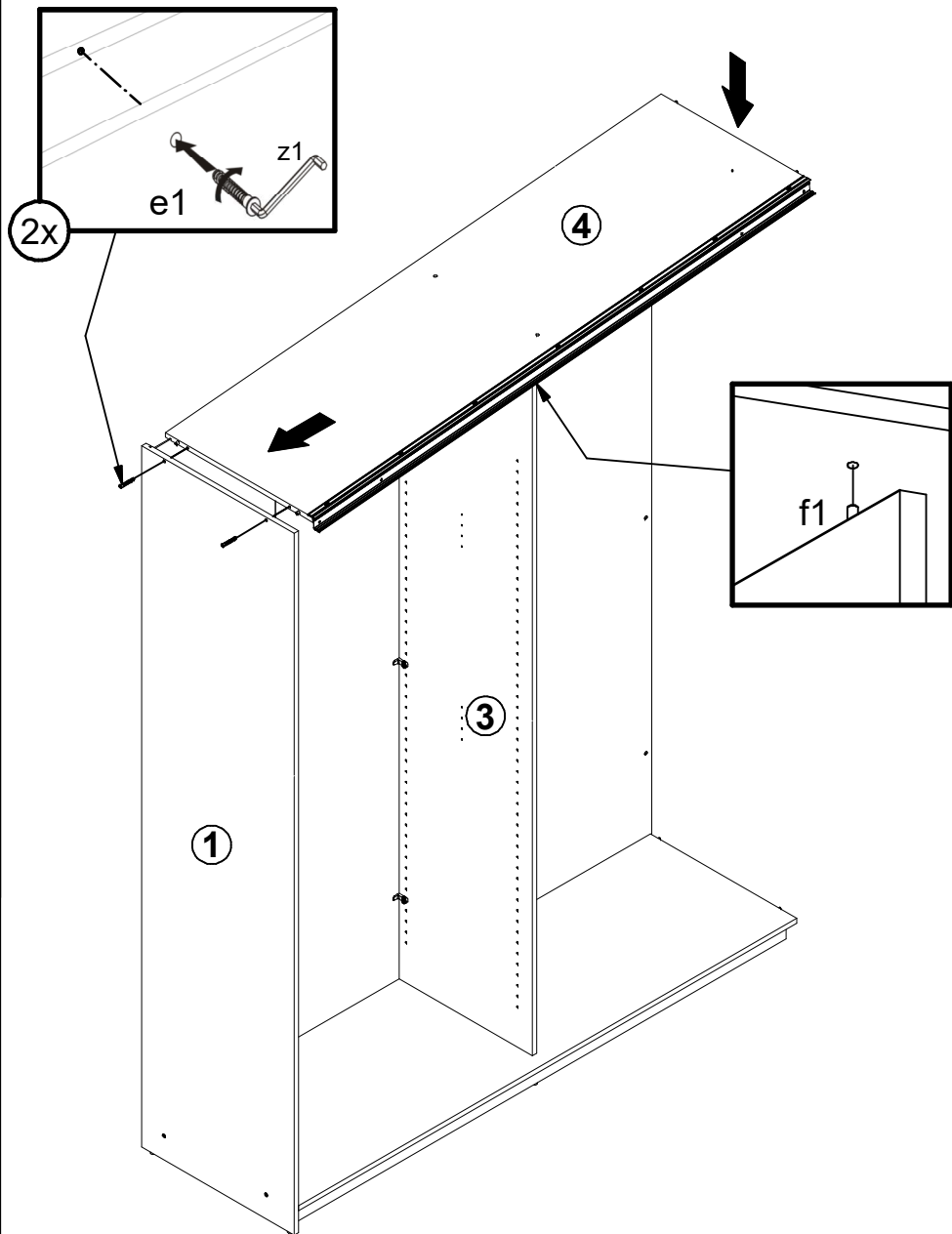
6



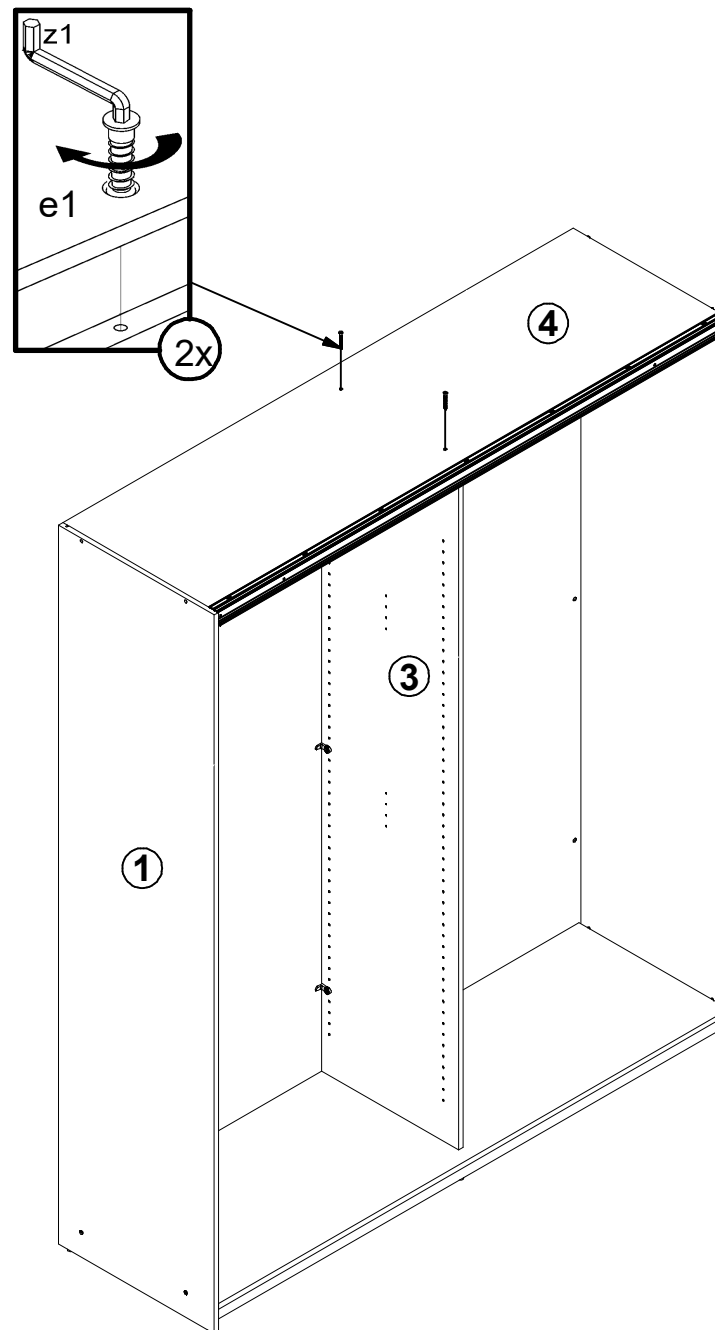
7



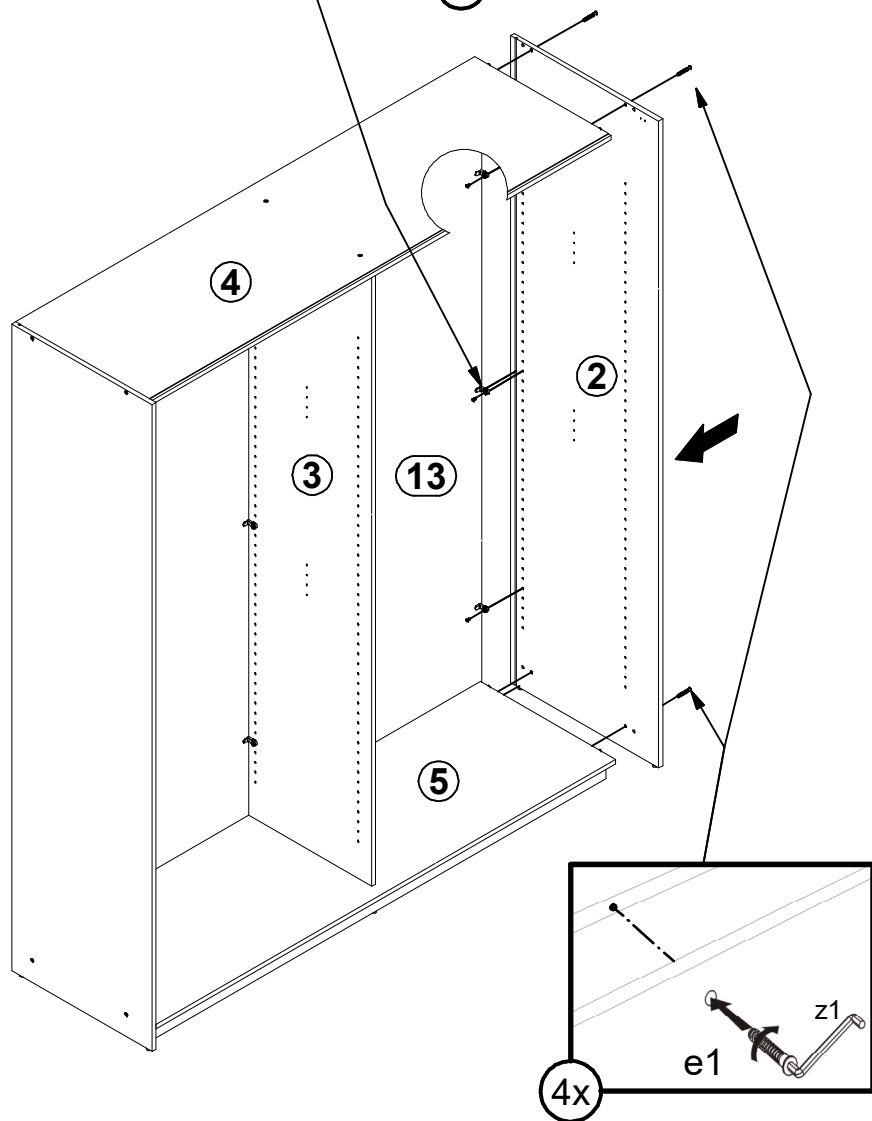
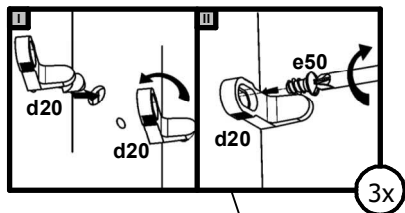
8



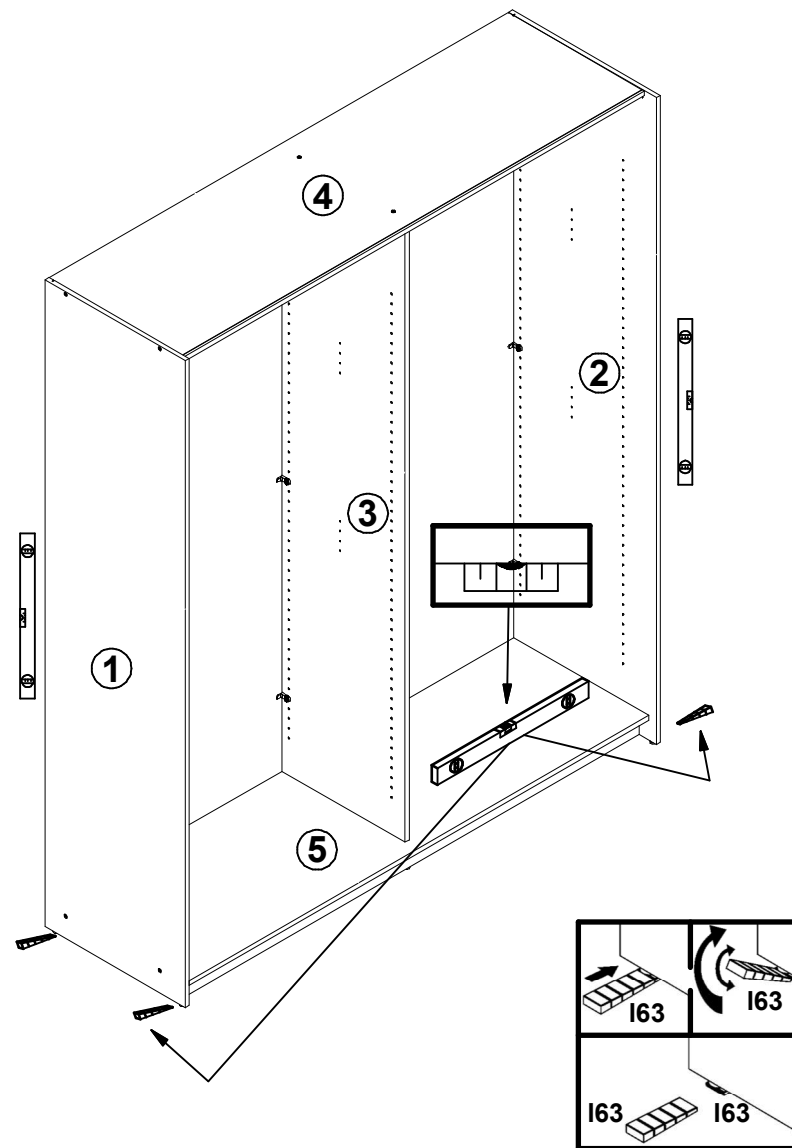
9



10

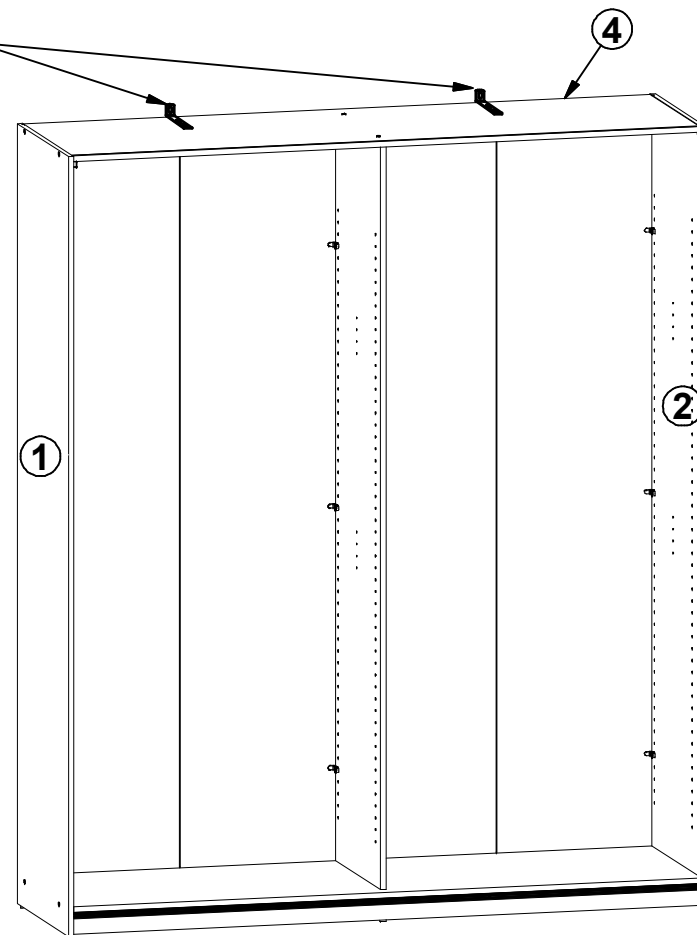
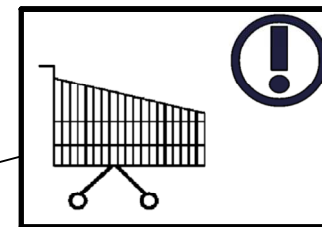
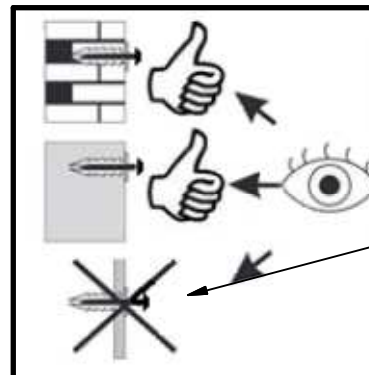
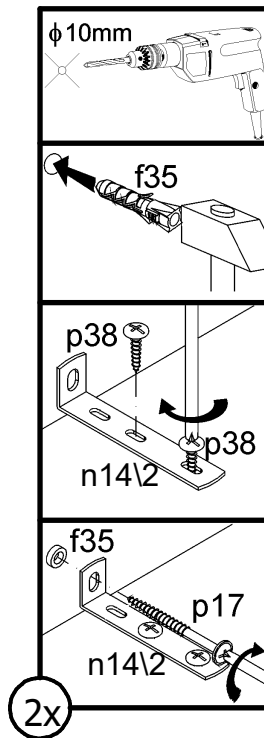
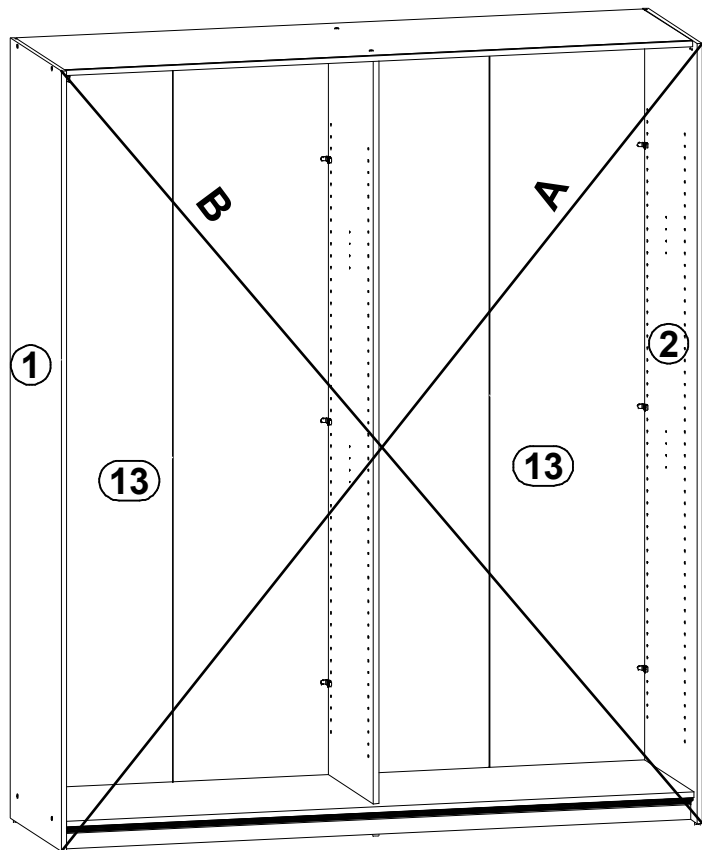


11

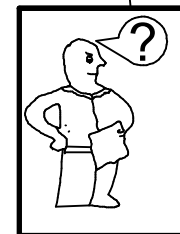
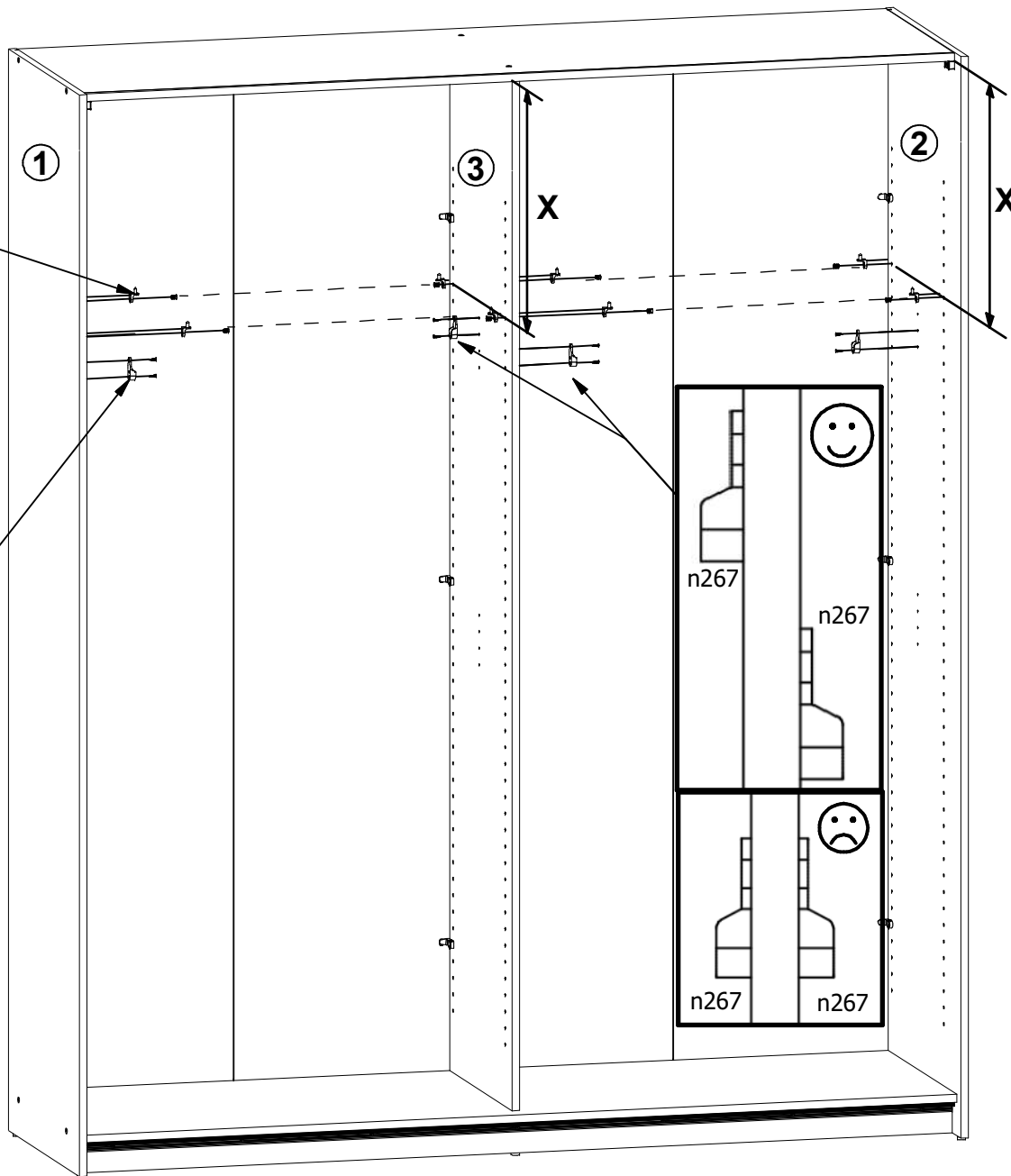
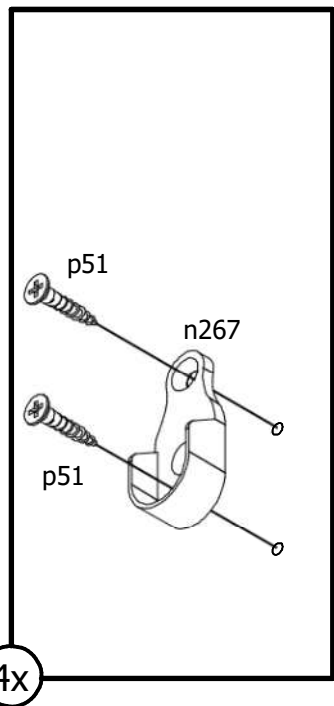
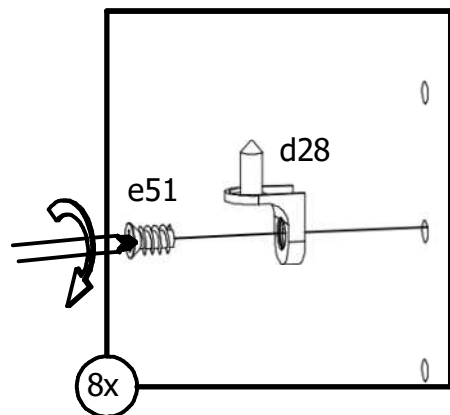


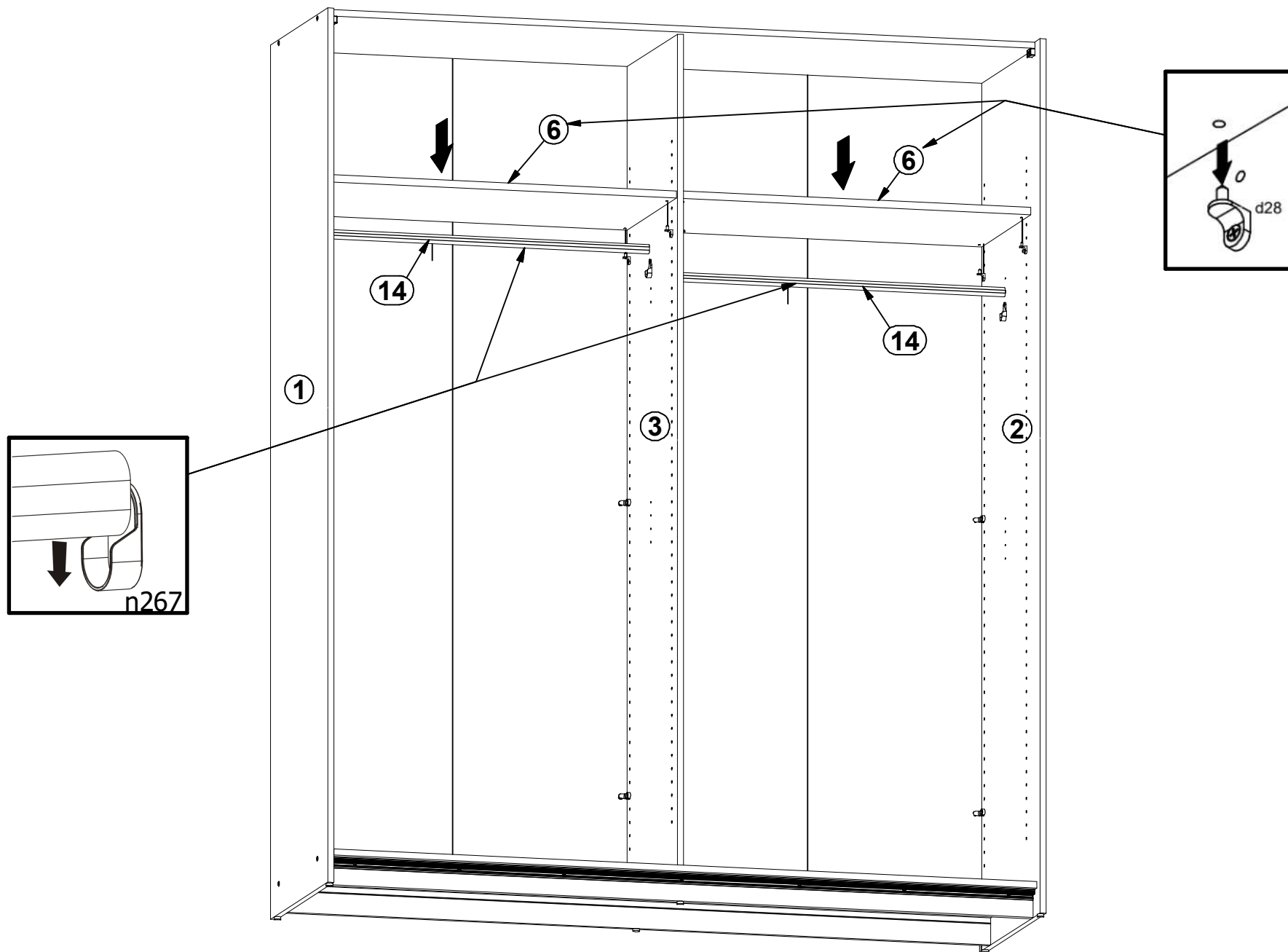
12

A=B



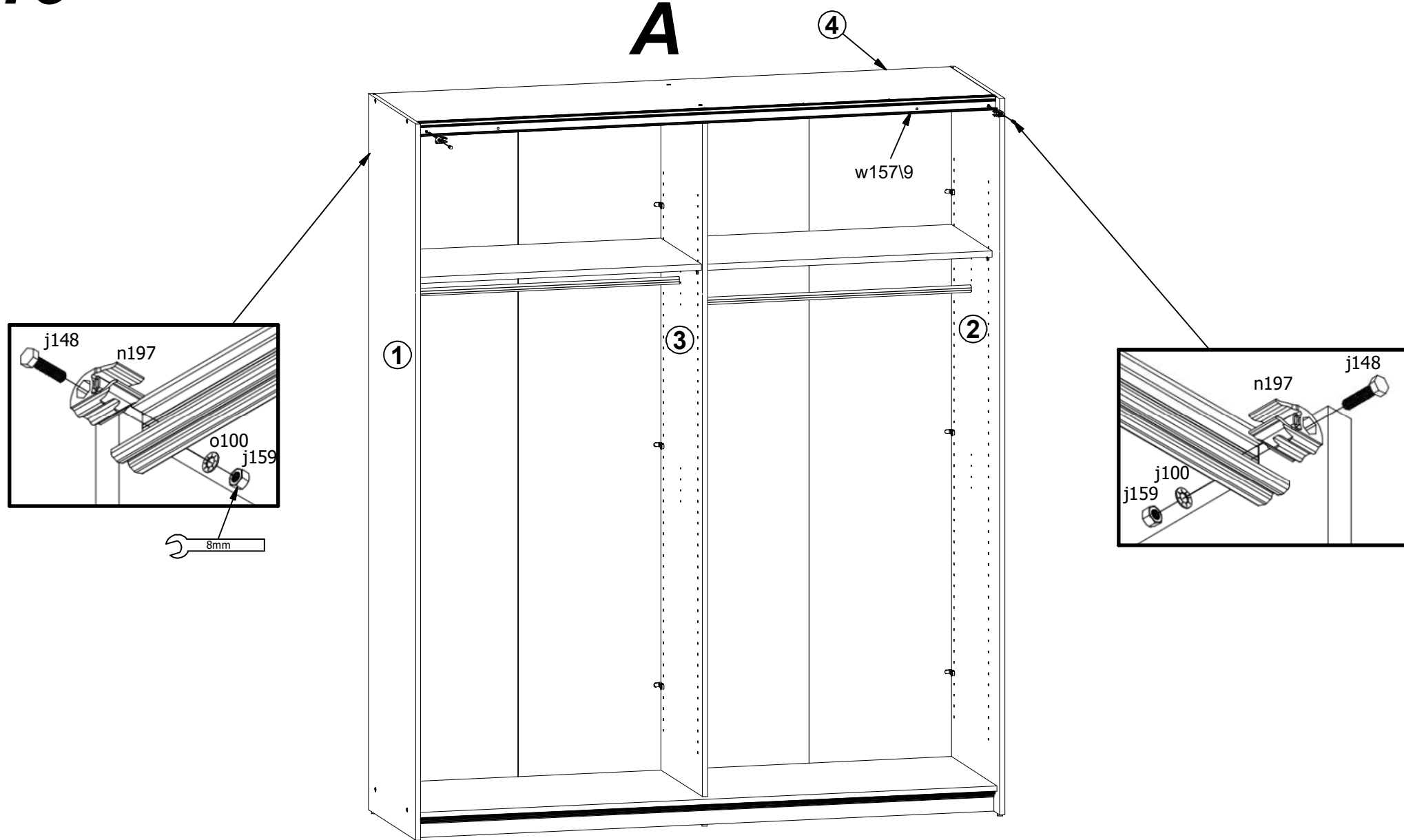
13





15

A



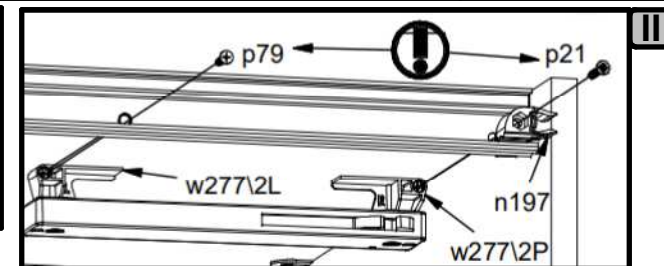
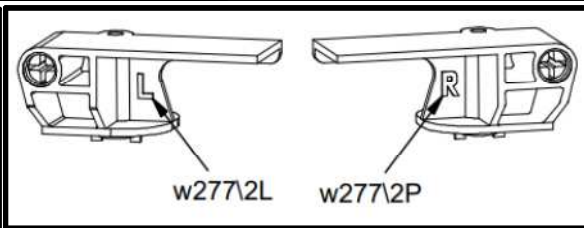
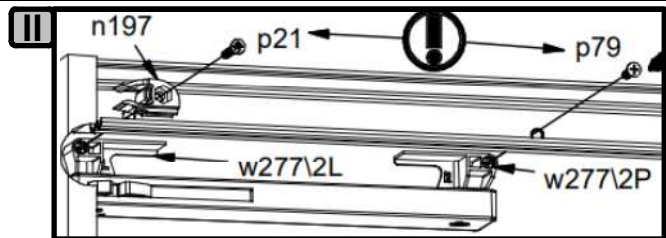
A

F73-SZF2D

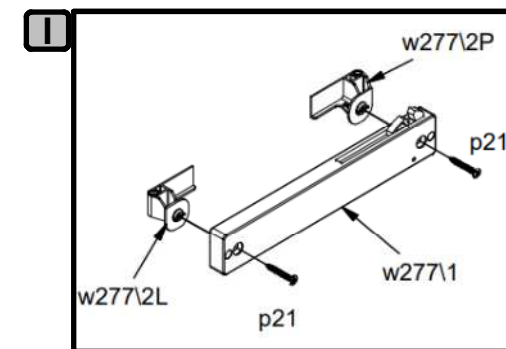
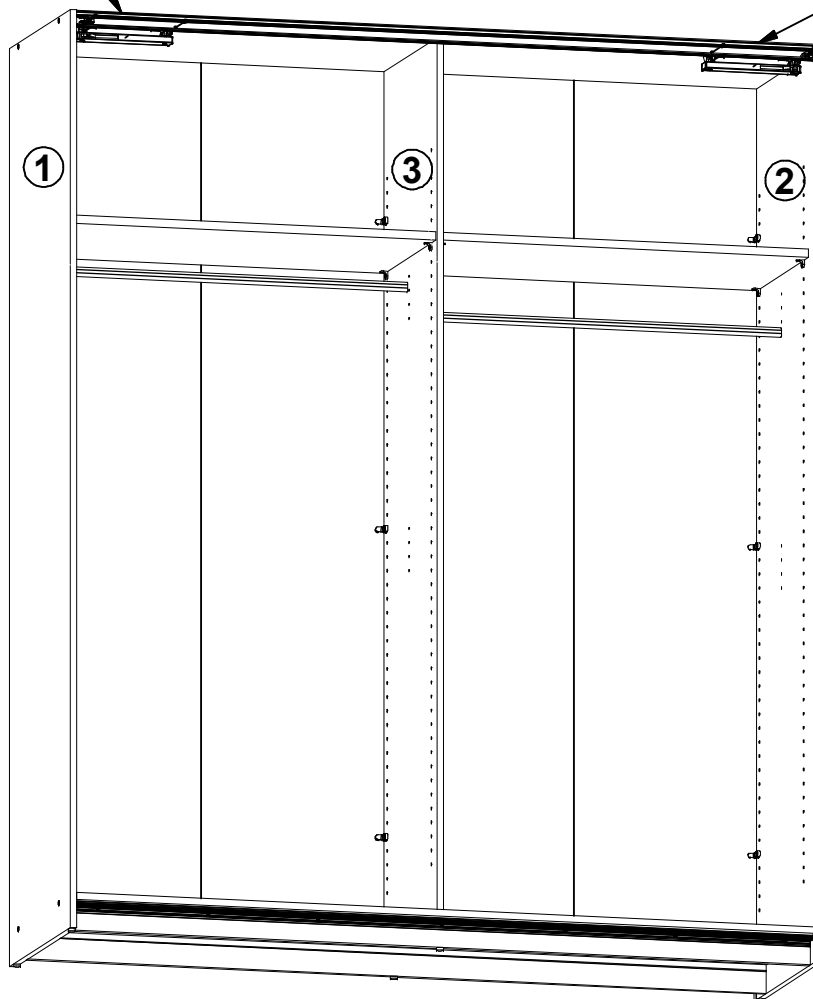
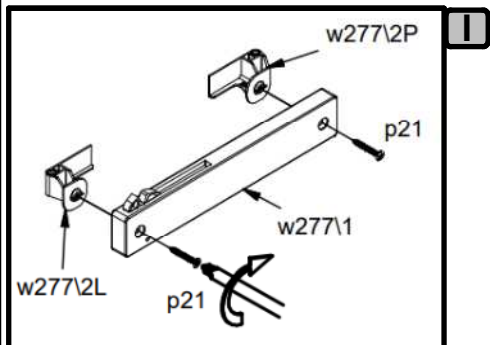
13450003

17 /23

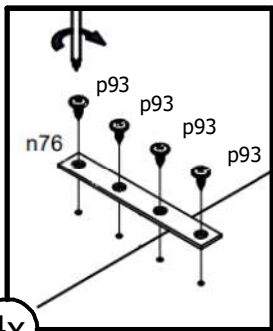
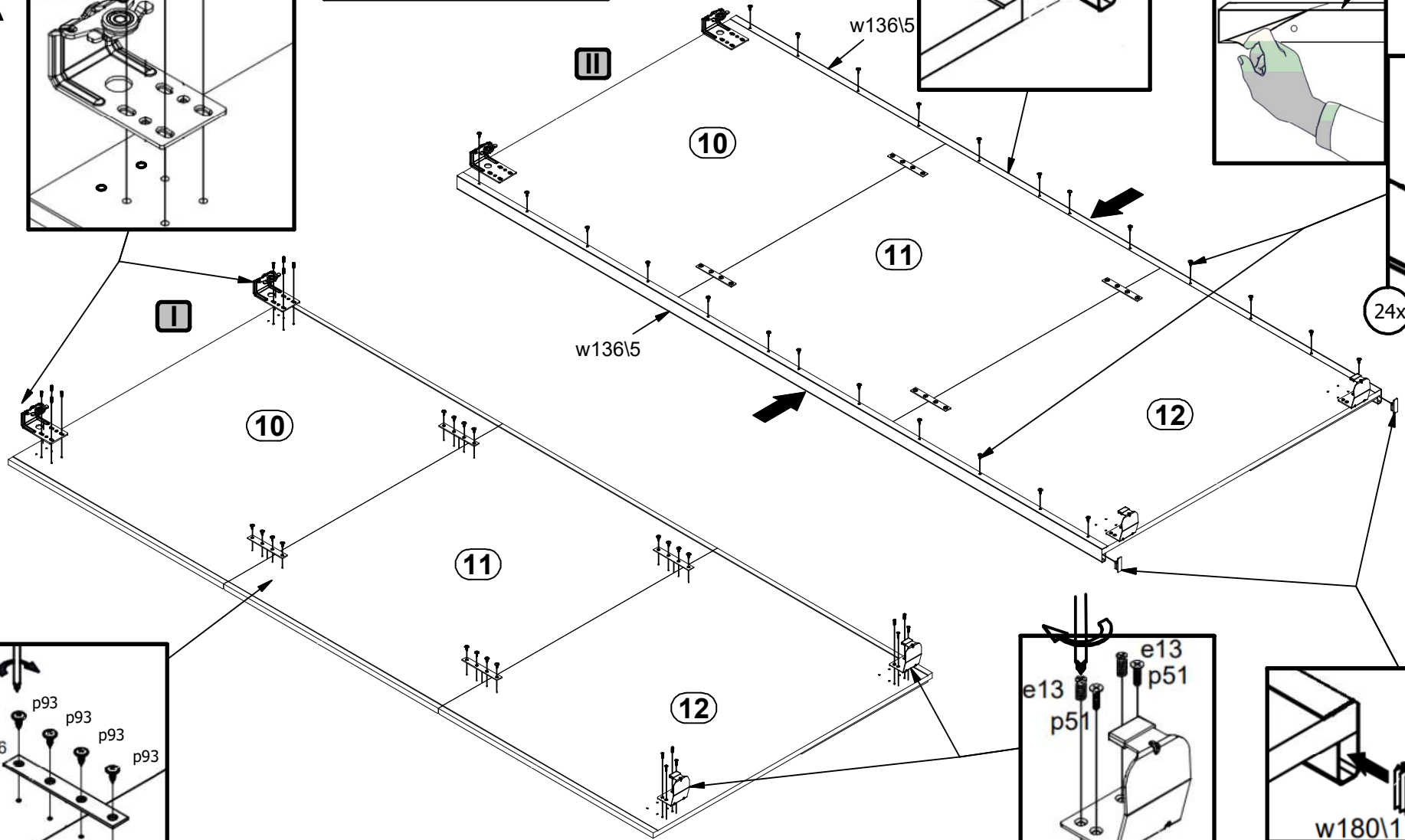
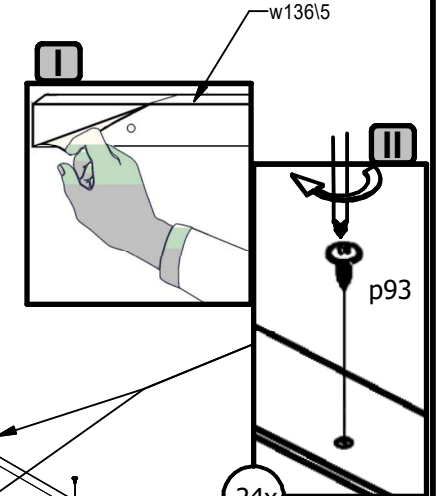
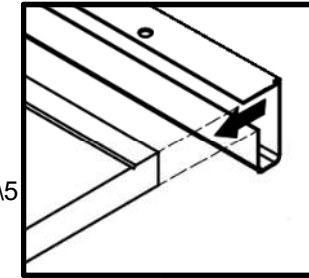
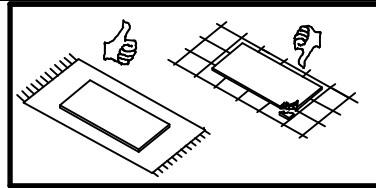
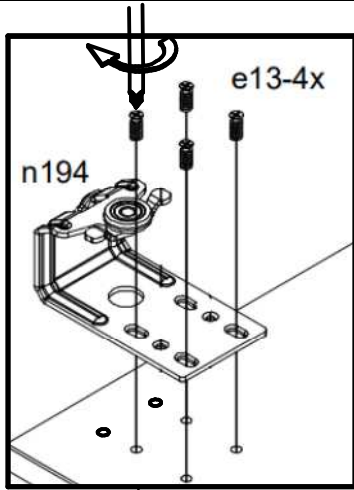
15



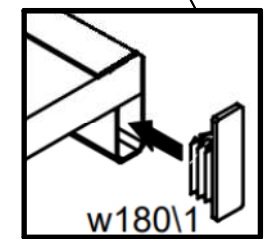
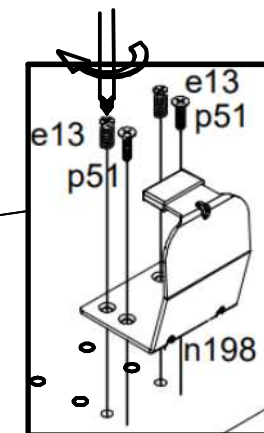
B



17
R



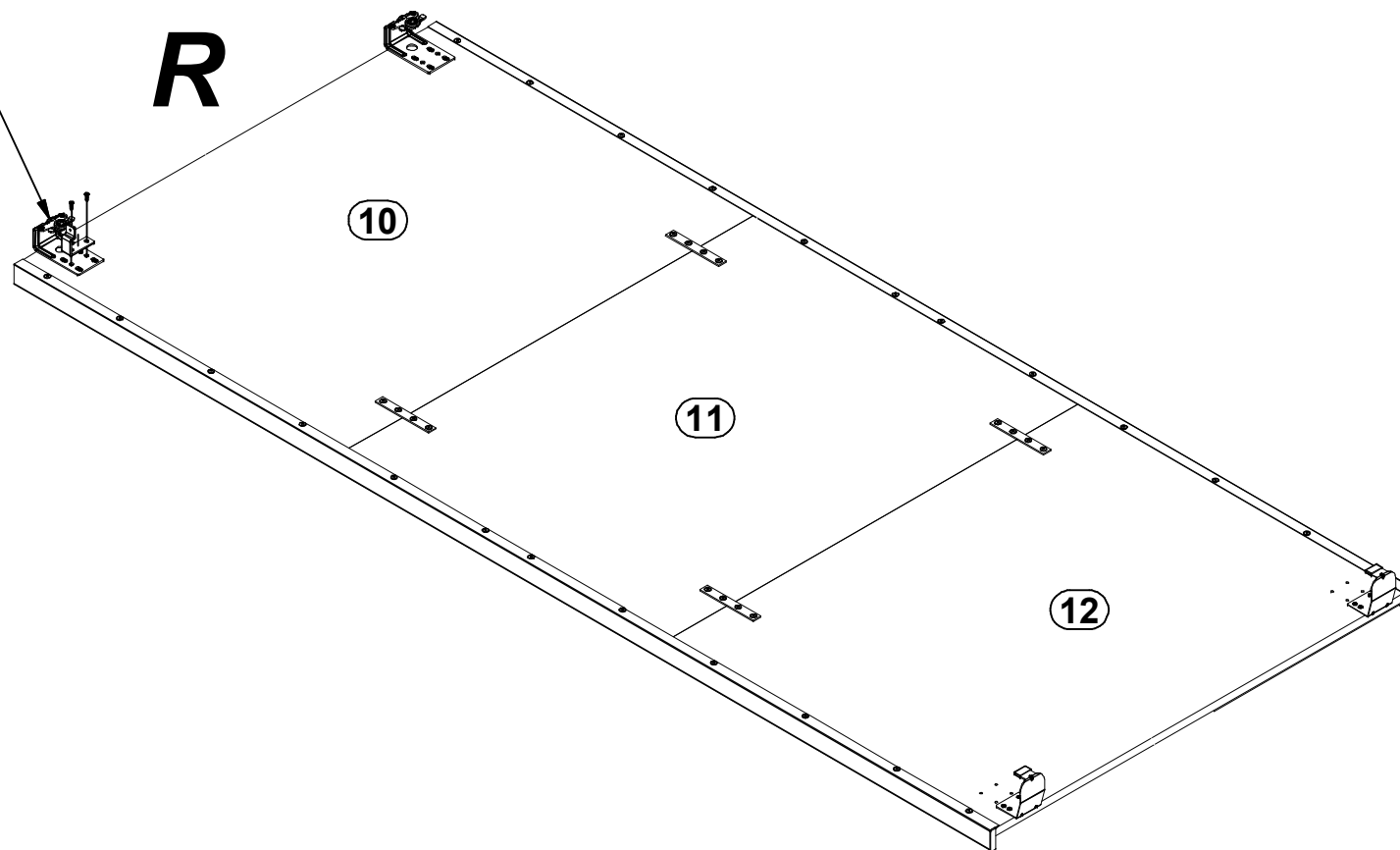
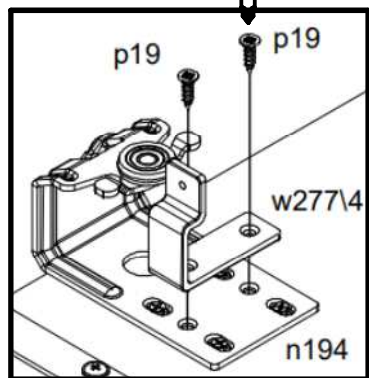
4x



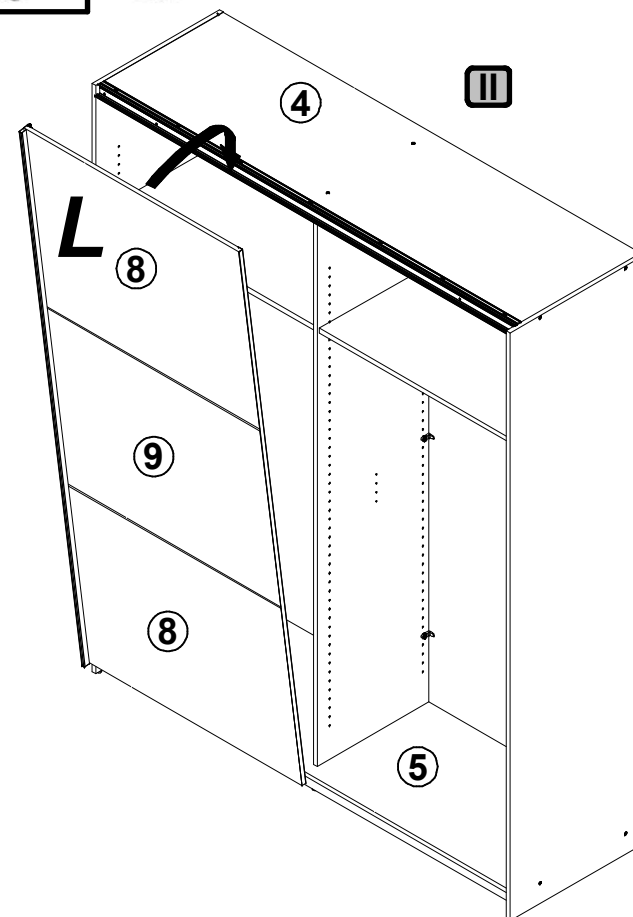
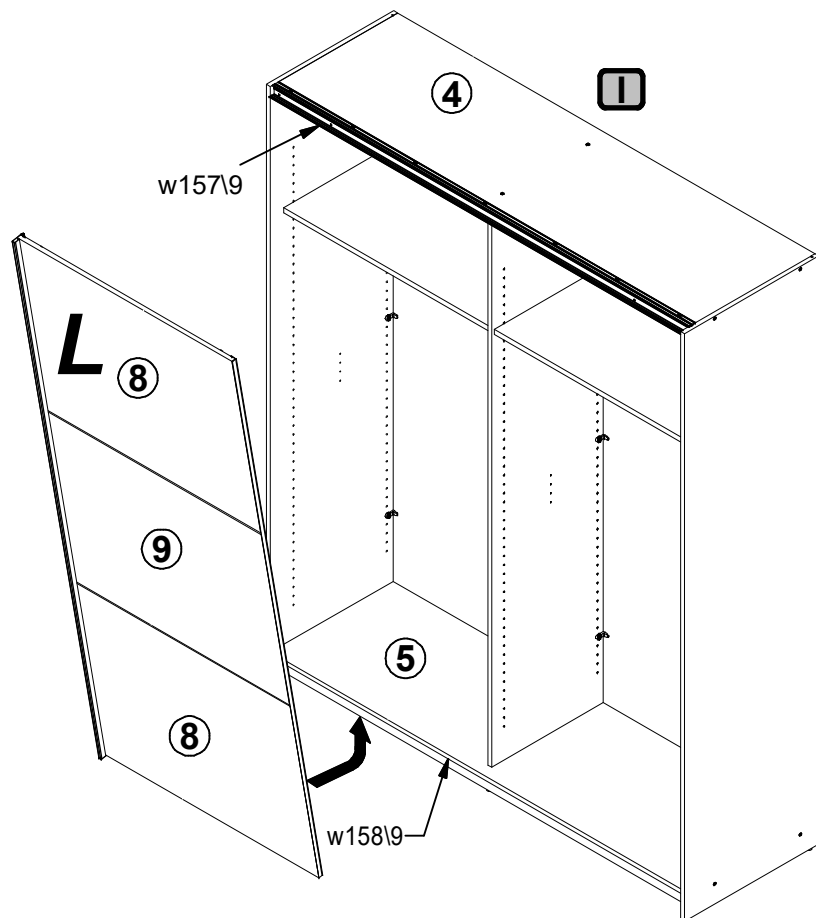
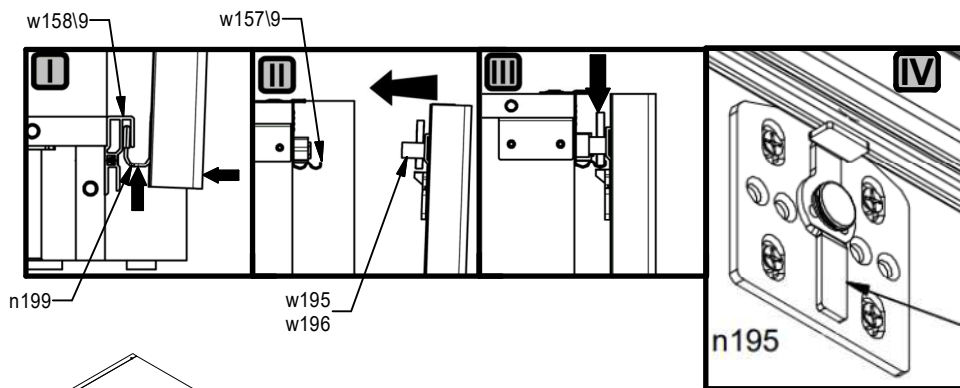
18

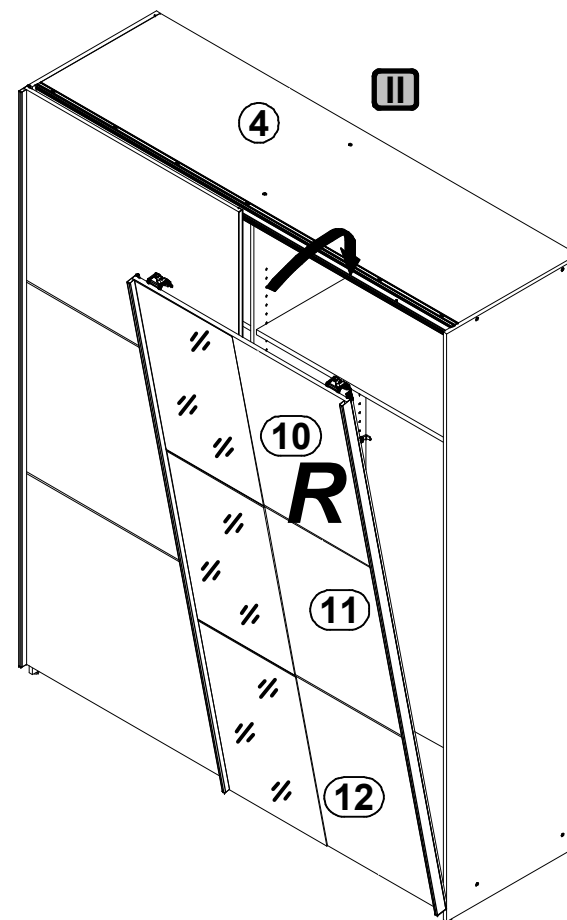
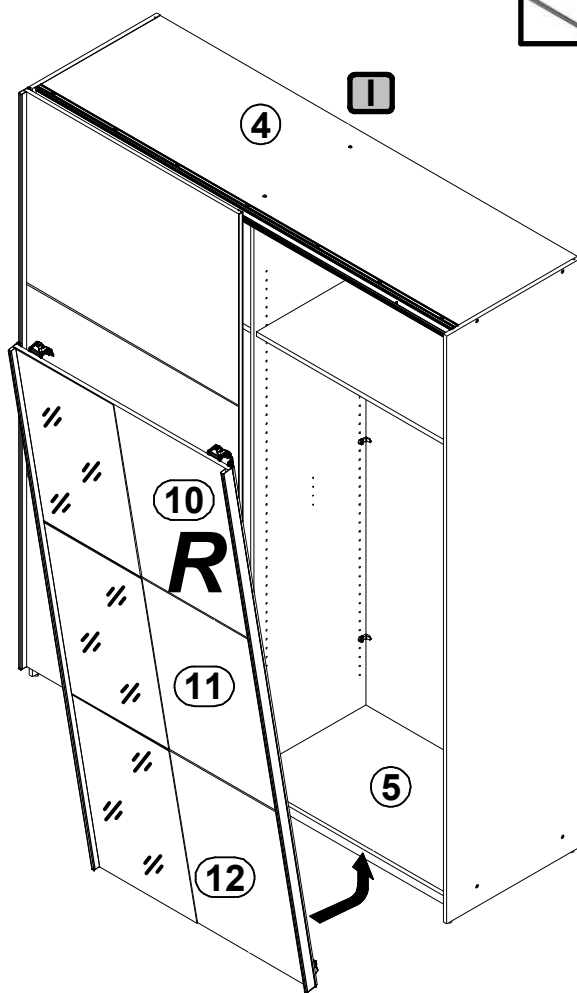
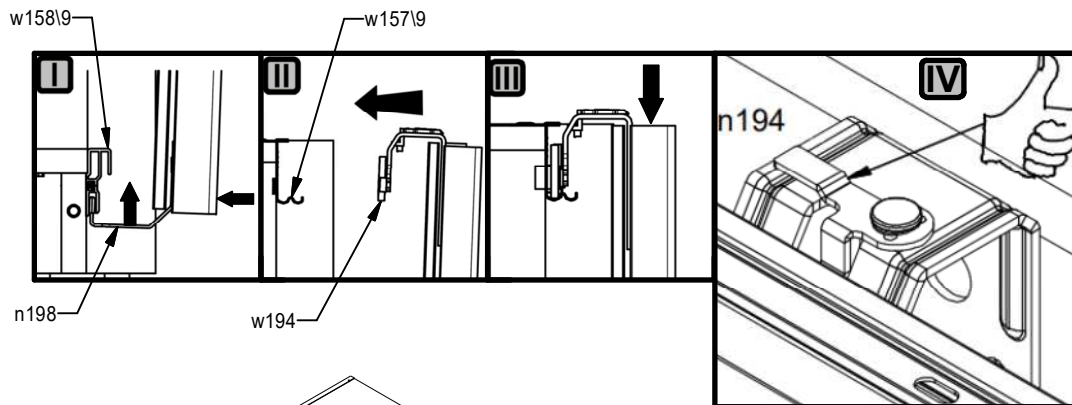


B



19





21

