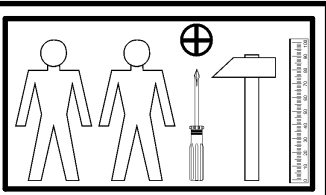
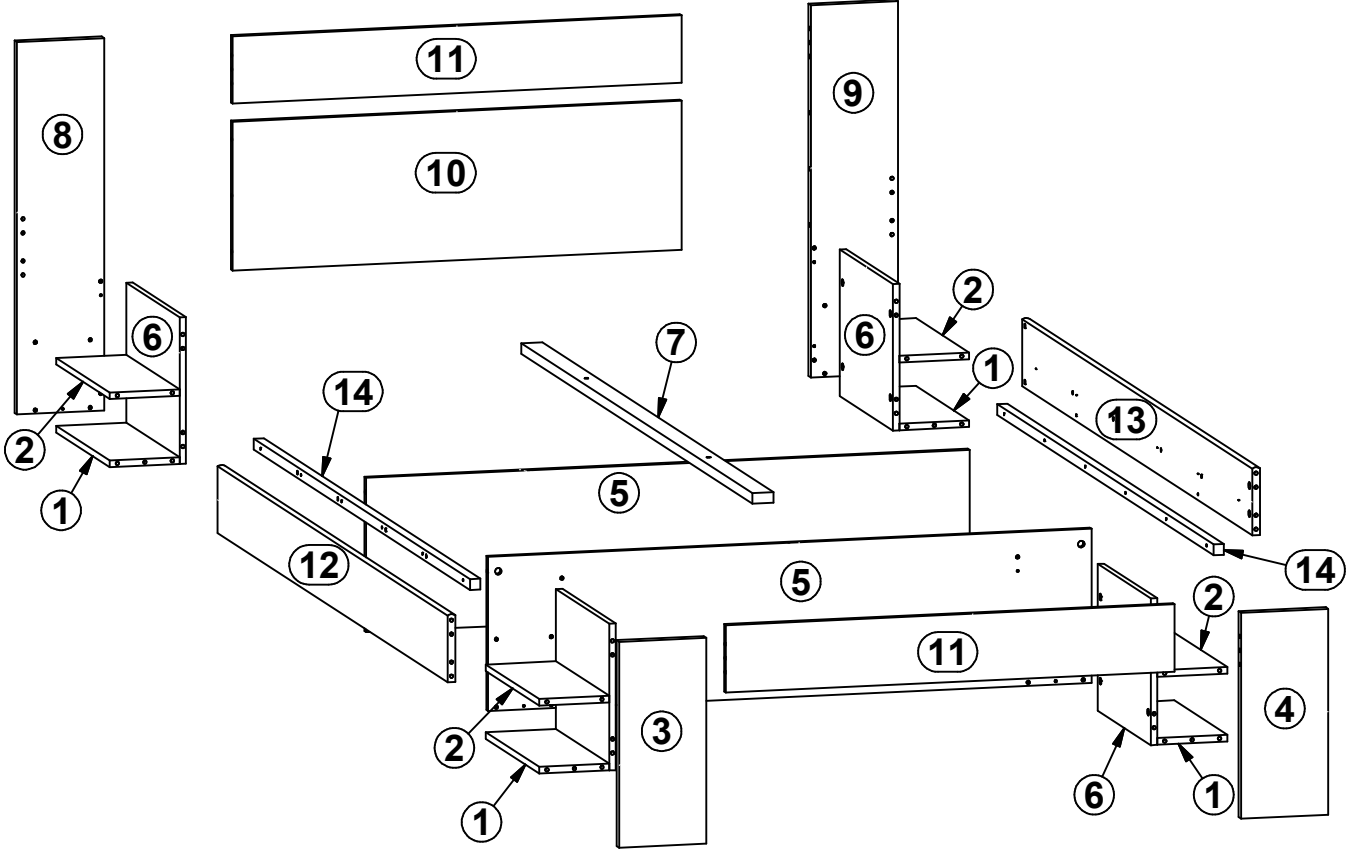
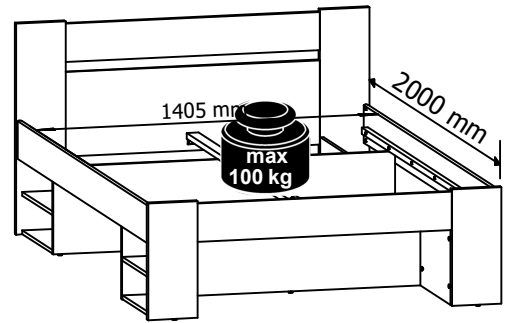
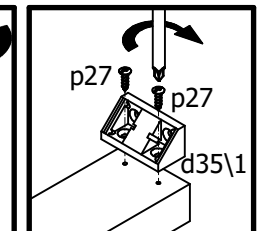
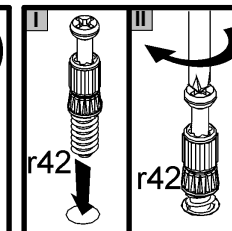
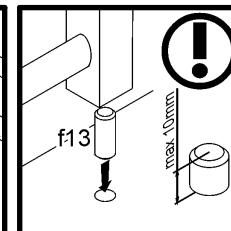
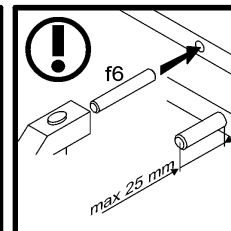
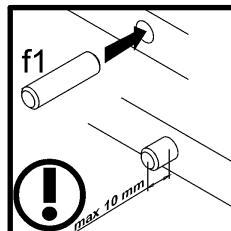
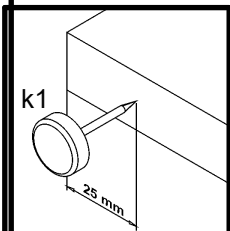
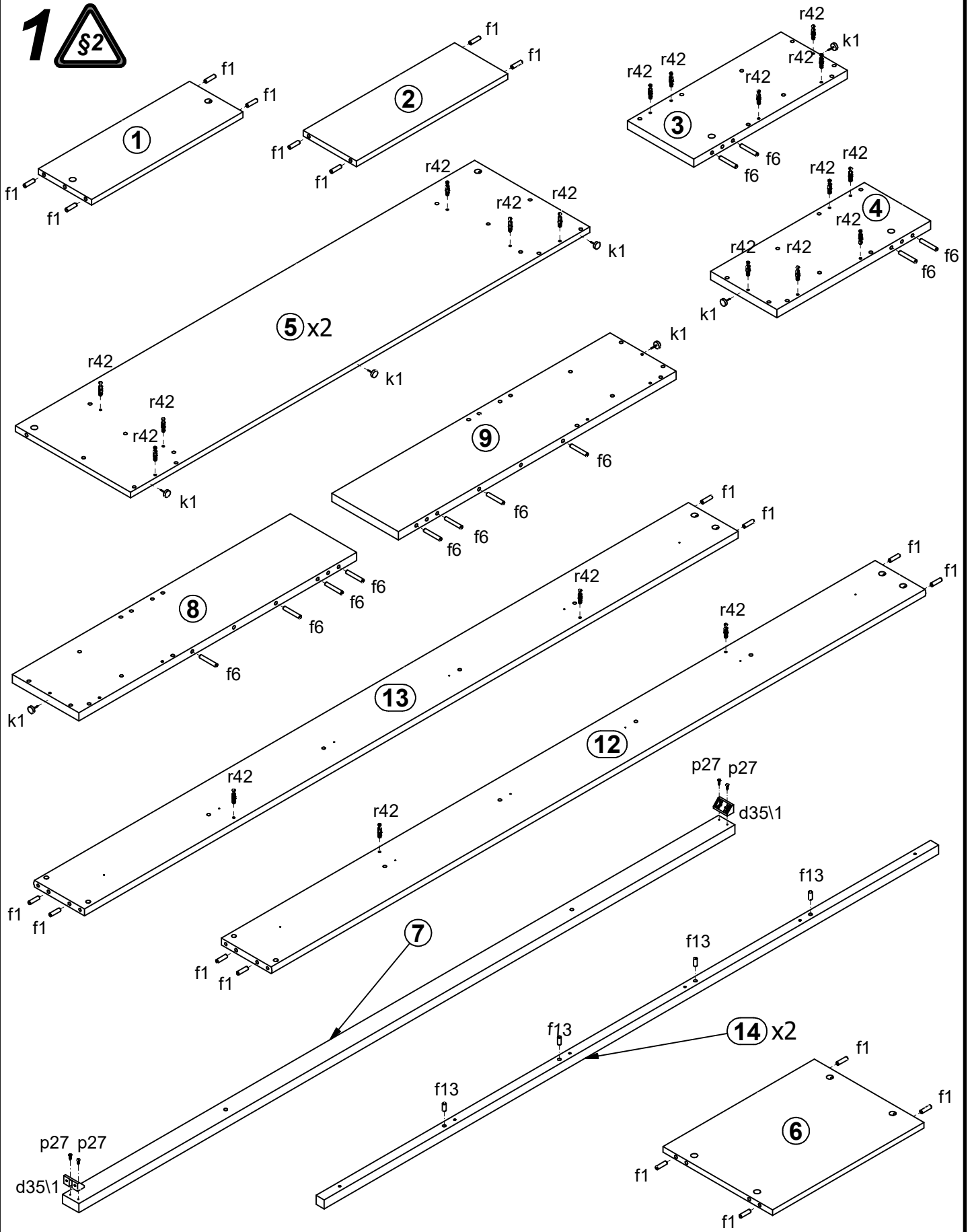


A	B	C	D	A	B	C	D		
1	S435-3028	463	163	2/2	8	S435-4040	850	203	2/2
2	S435-3029	463	163	2/2	9	S435-4041	850	203	2/2
3	S435-4034	470	203	2/2	10	S435-4042	1045	340	1/2
4	S435-4035	470	203	2/2	11	S435-4043	1045	154	1/2
5	S435-4036	1405	352	1/2	12	S435-4044	2000	155	2/2
6	S435-4037	335	463	1/2	13	S435-4045	2000	155	2/2
7	S435-4038	2007	50	2/2	14	S435-7006	1880	25	2/2

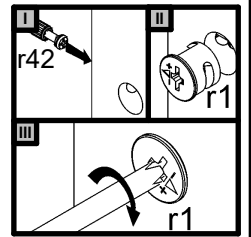
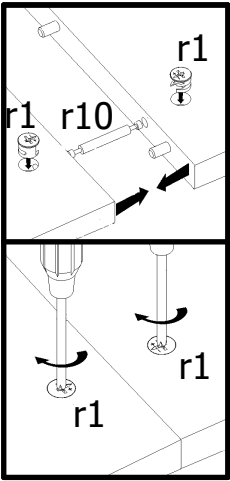
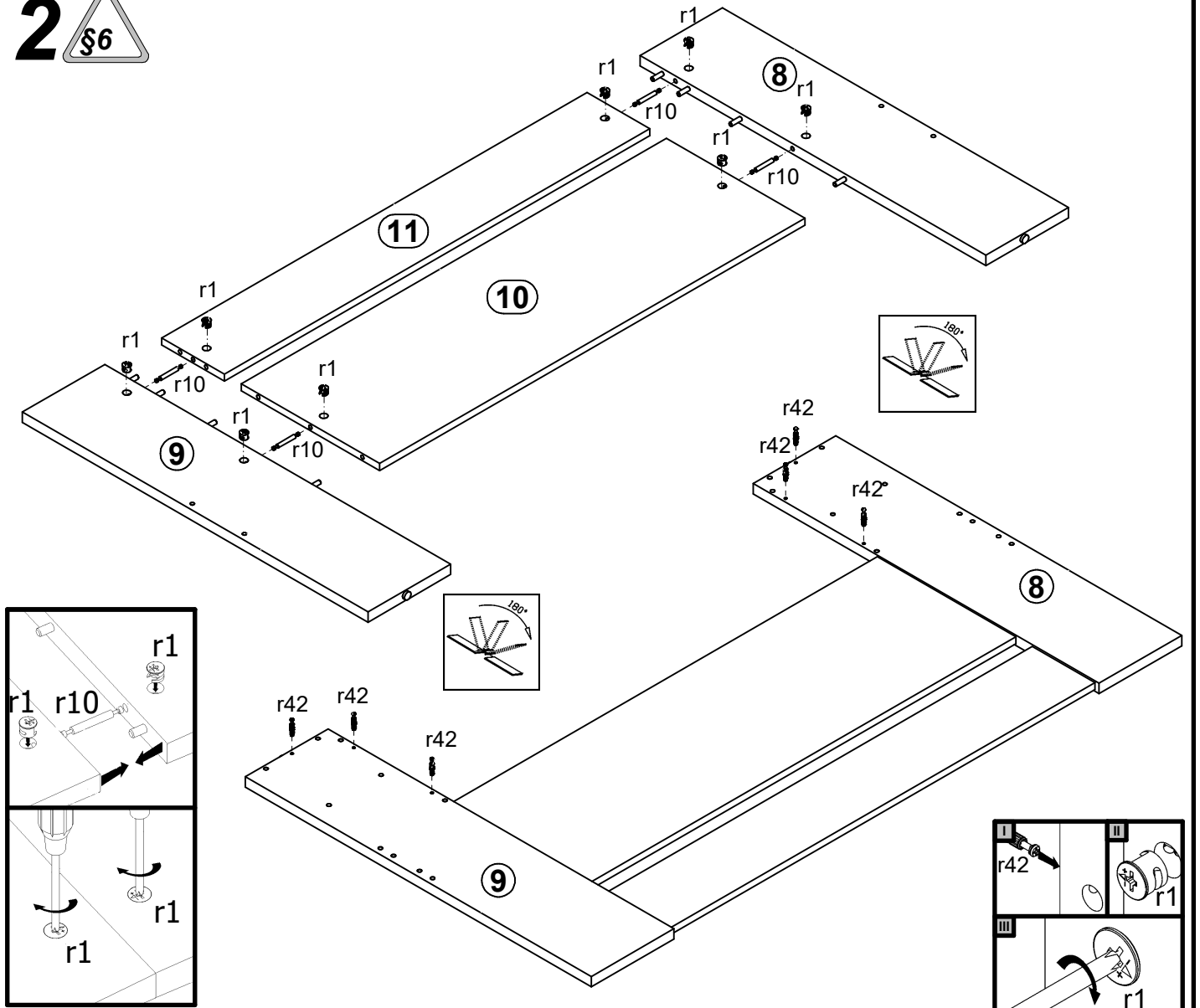


2x d35/1	2x d35/2	2x e8 Ø7x60 mm	56x f1 Ø8x30 mm	12x f6 Ø8x50 mm	8x f13 Ø8x20 mm	4x j144 M6x60 mm	10x k1	6x p6 Ø4x35 mm
12x p26 Ø4x35 mm	8x p27 Ø3.5x13 mm	44x r1 Ø15x12 mm #16	4x r5/1 Ø10x13 mm	6x r10	32x r42 20/11	14x s2 Ø16	1x z1 4 mm	

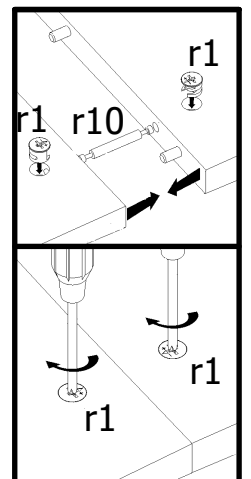
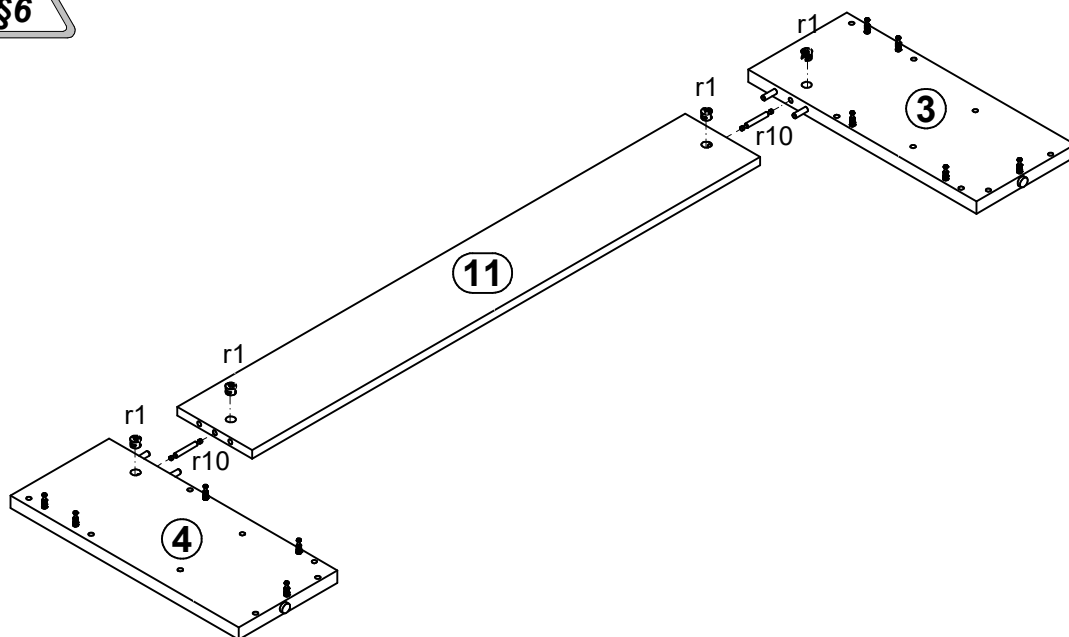
1 



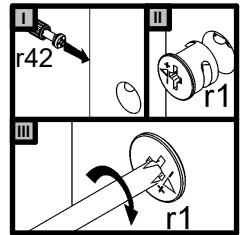
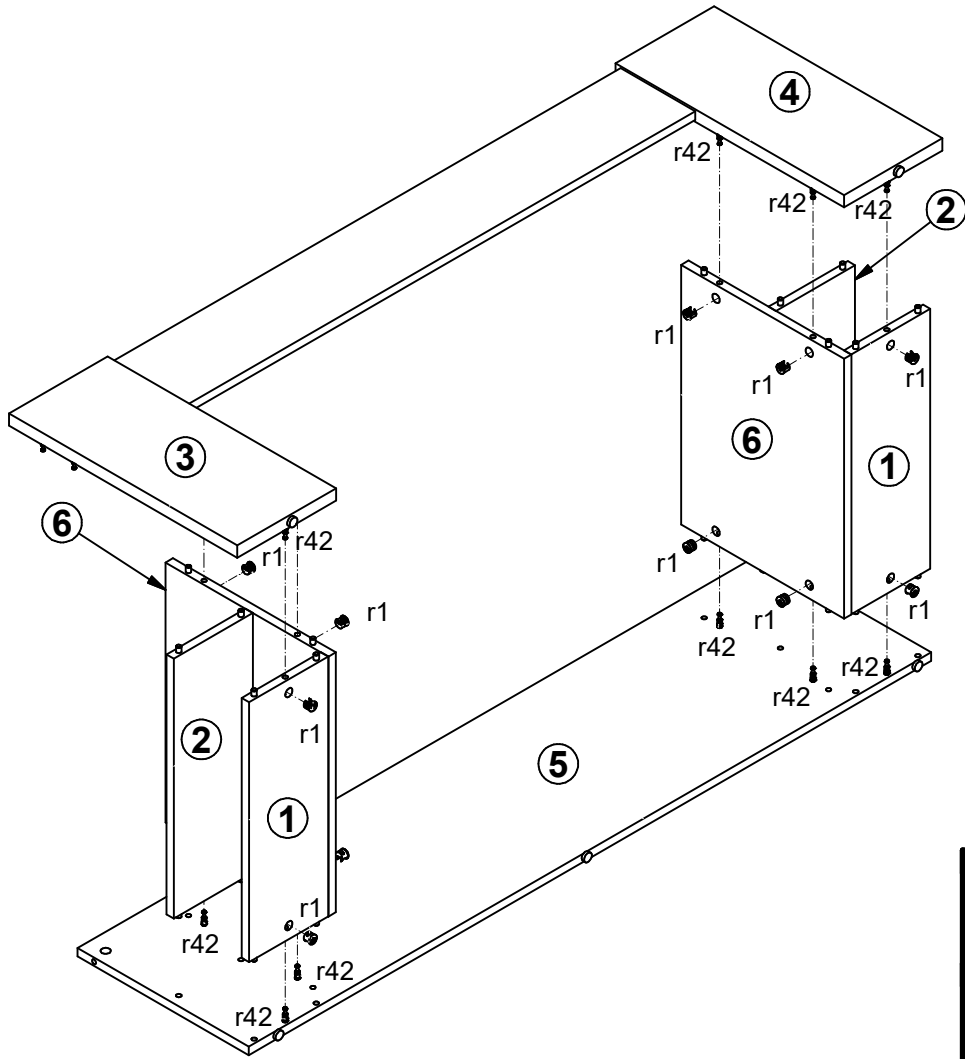
2



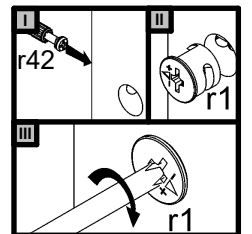
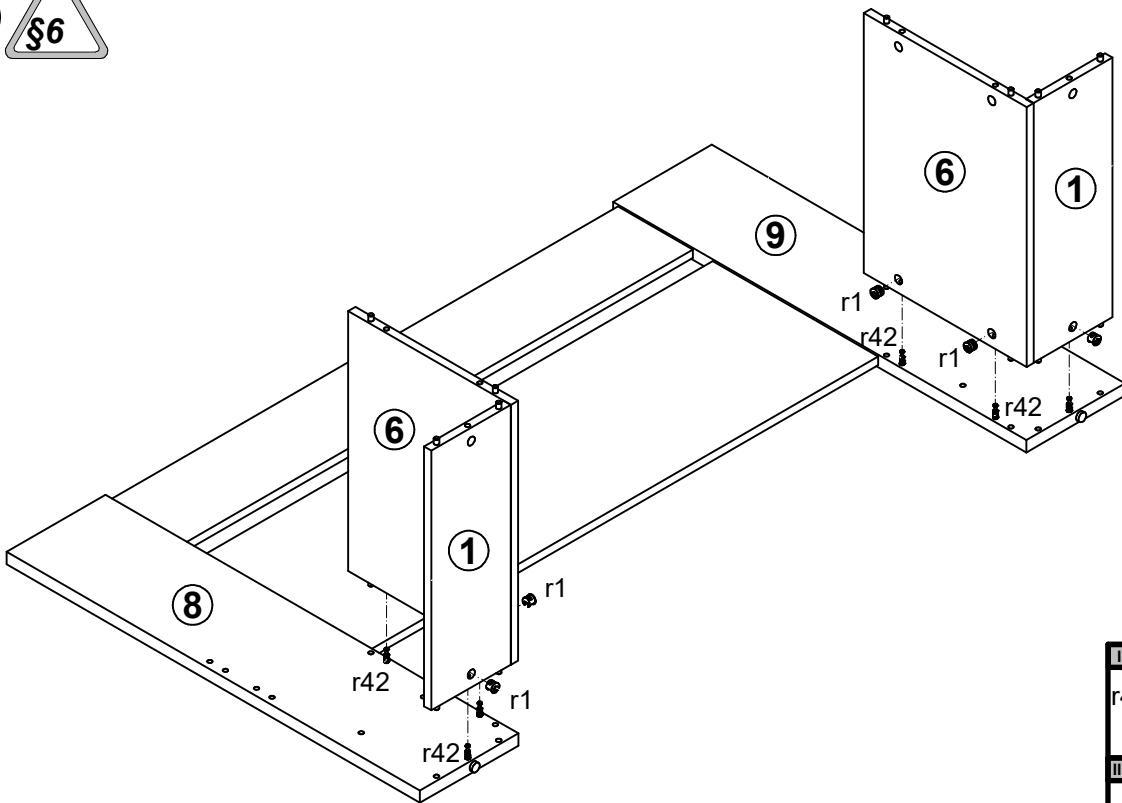
3

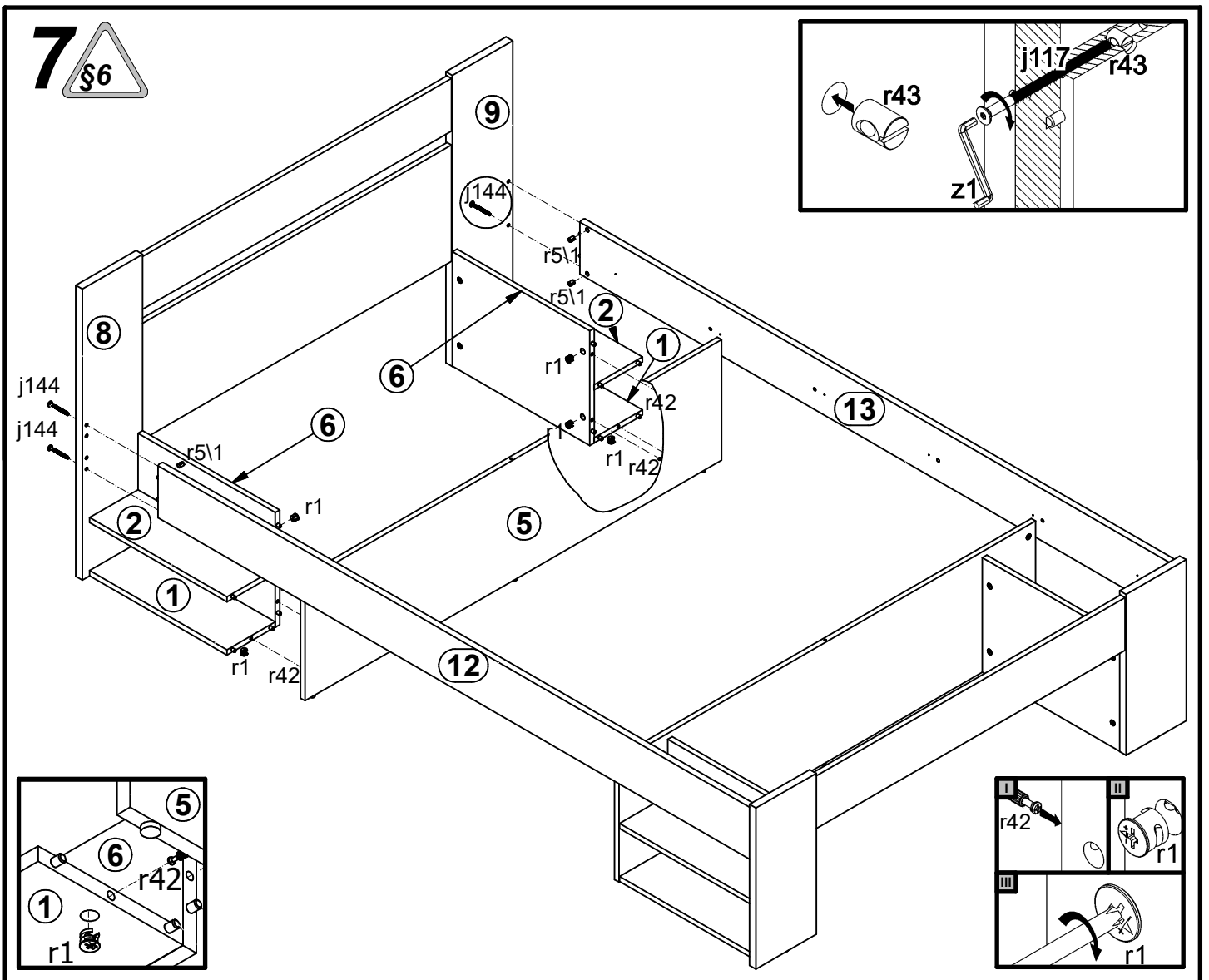
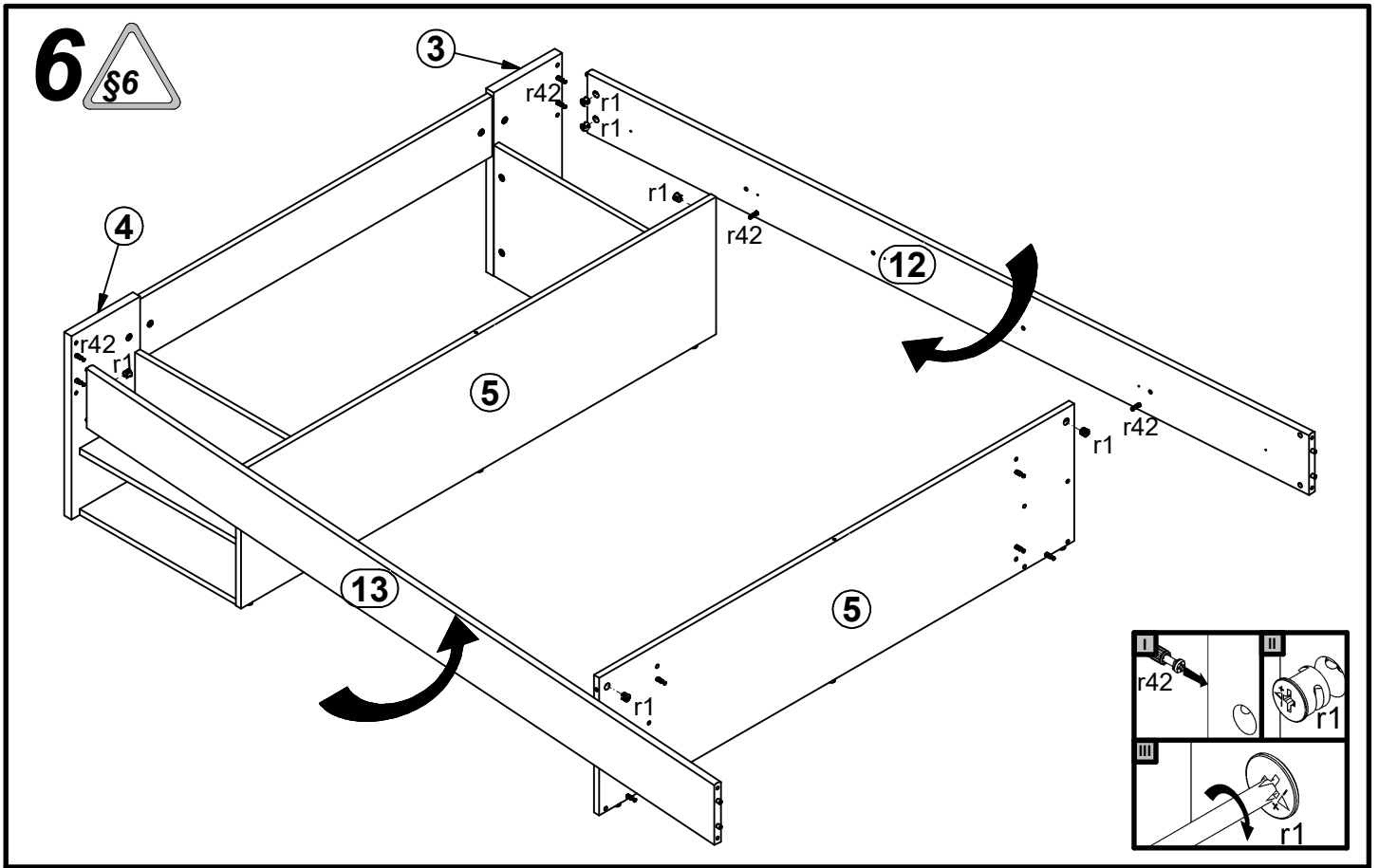


4

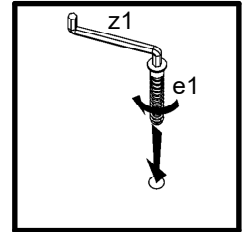
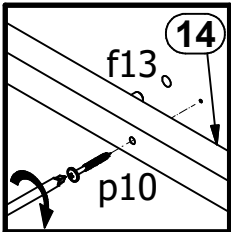
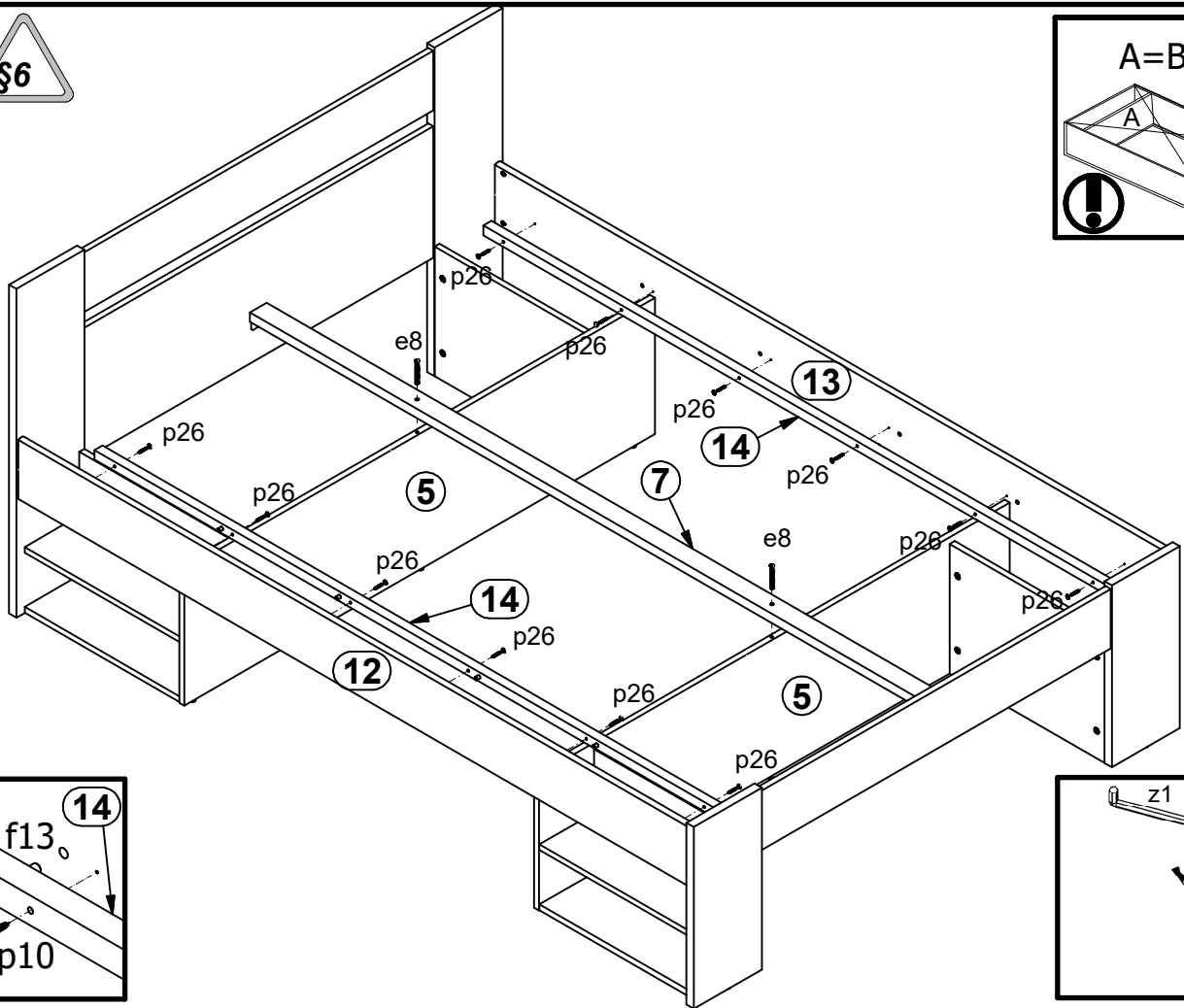
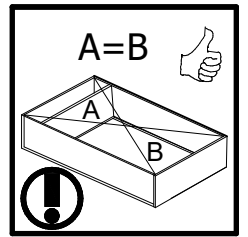


5

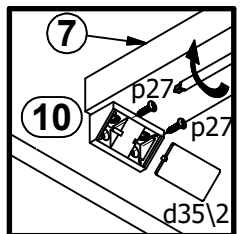
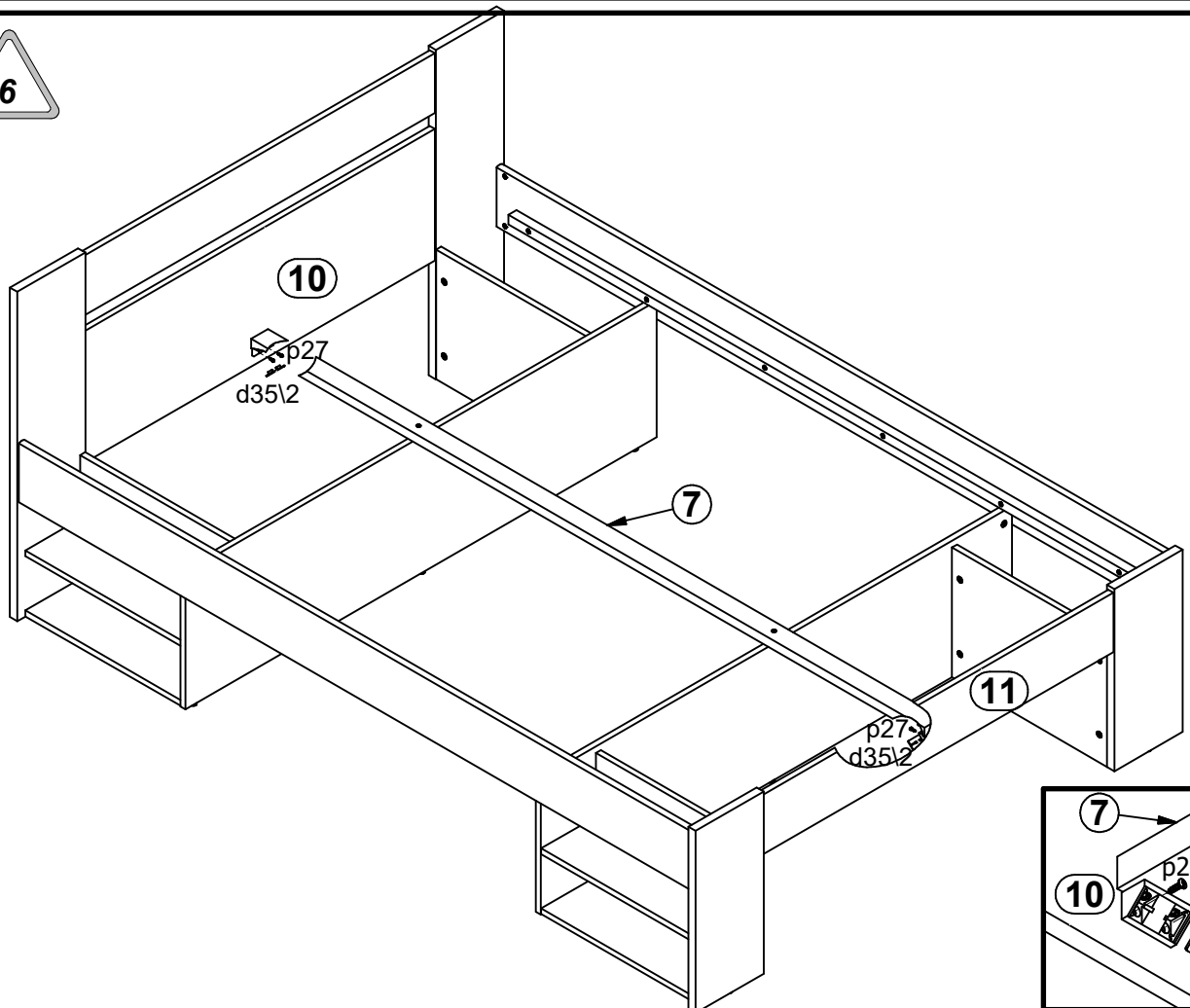




8 §6



9 §6



10 

