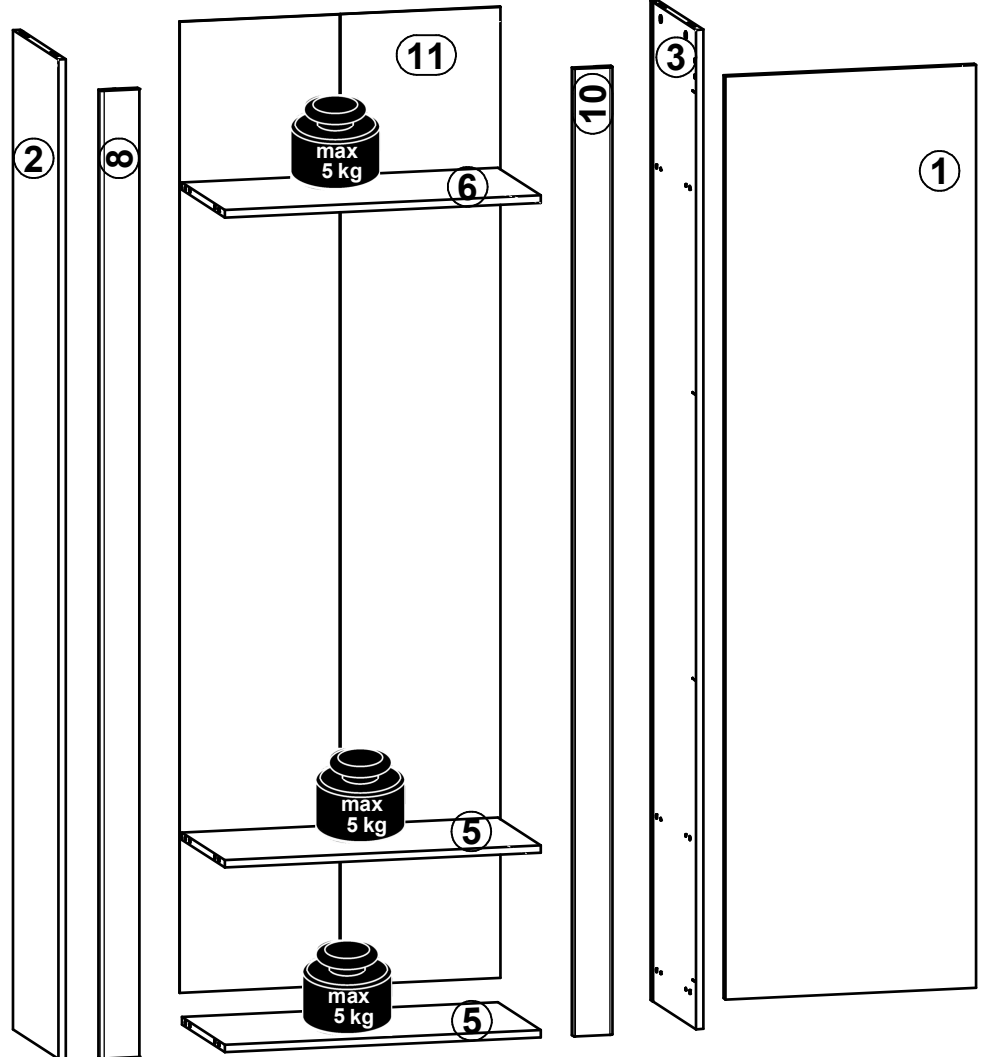
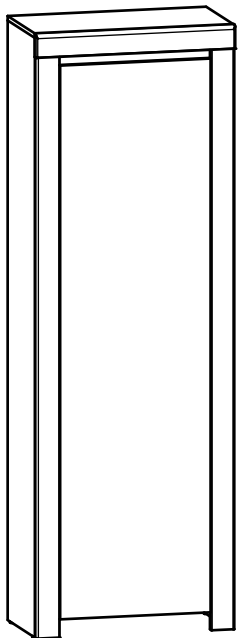
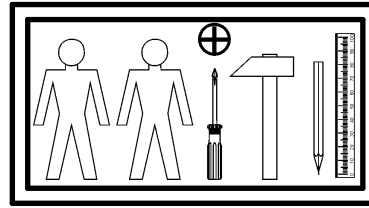
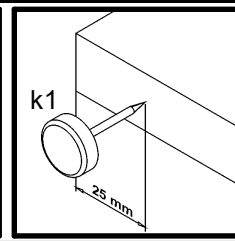
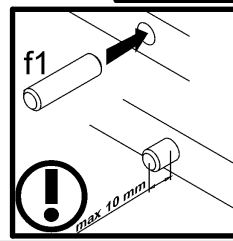
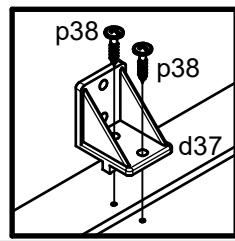
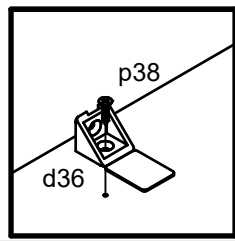
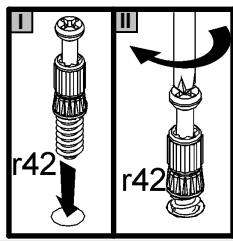
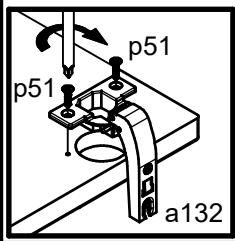
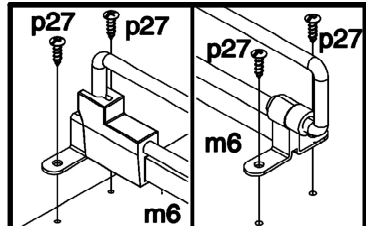
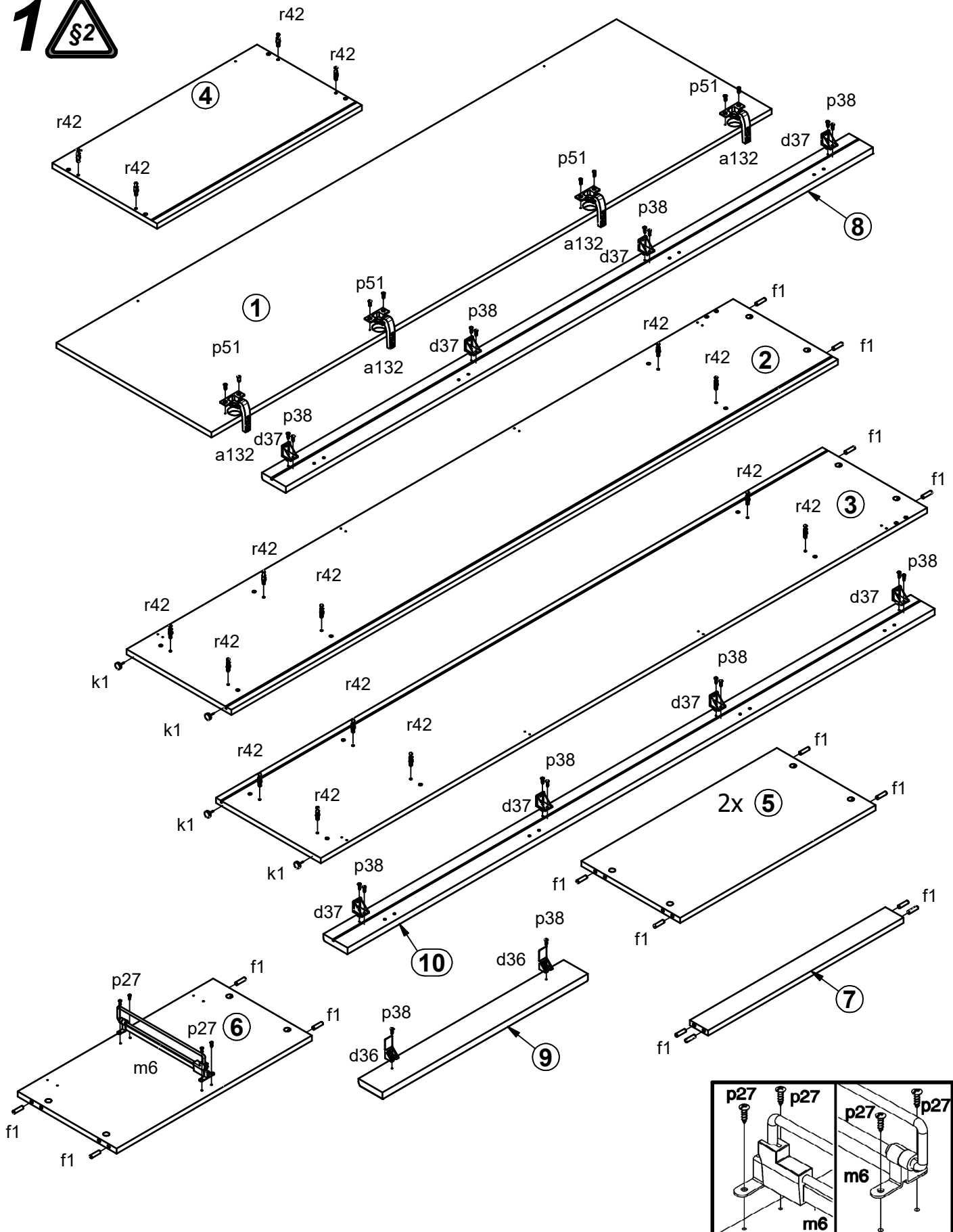


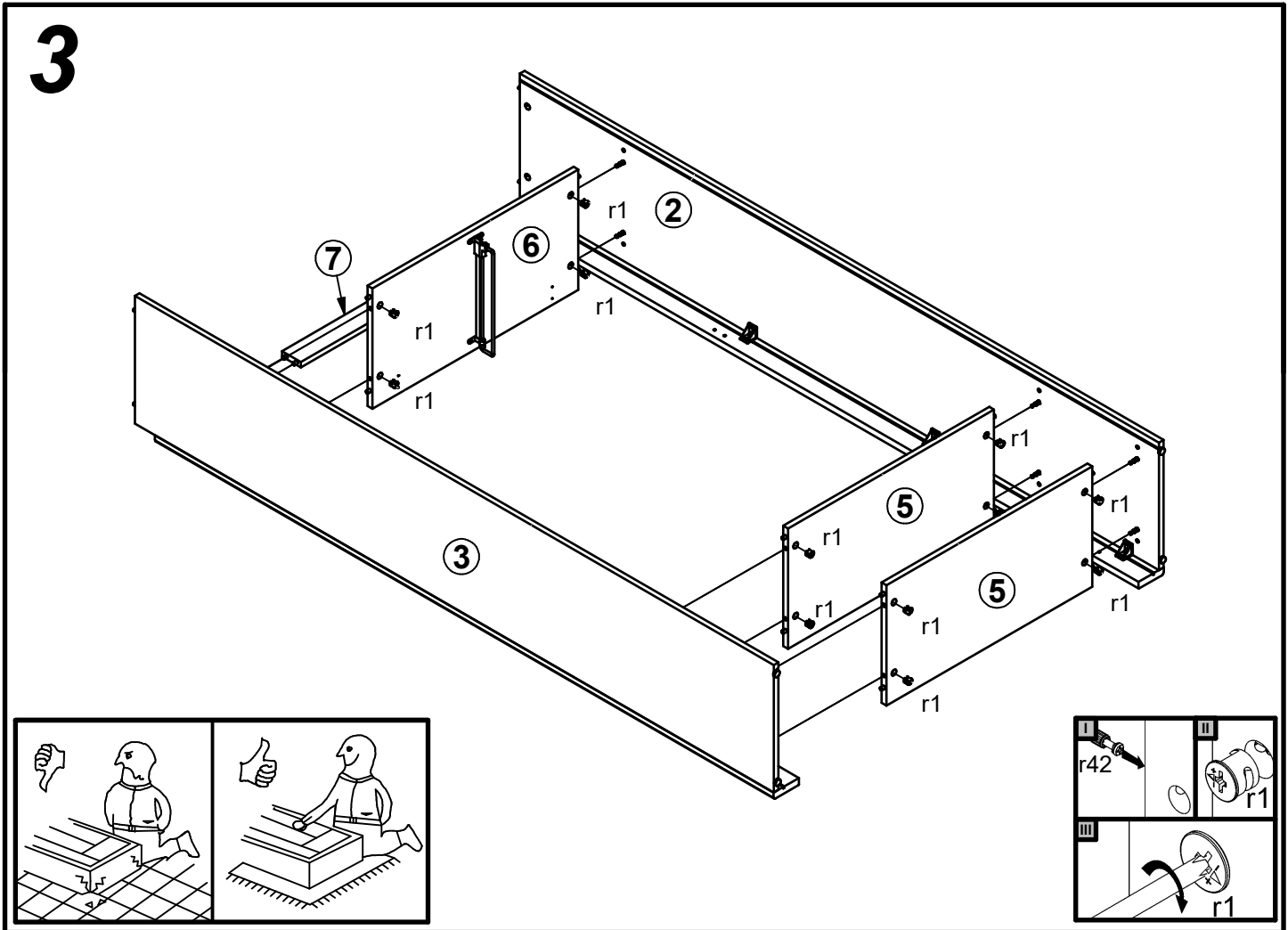
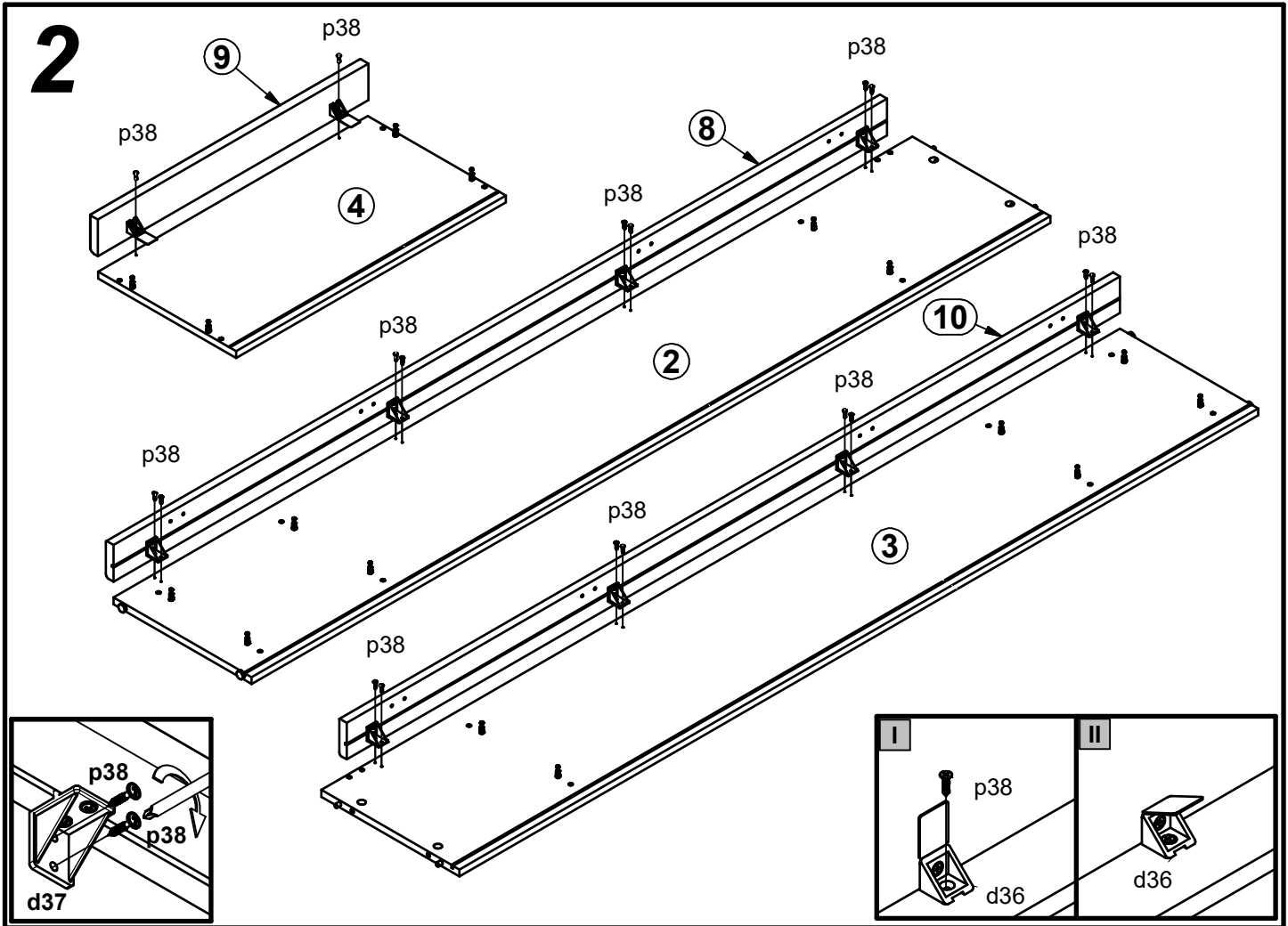
A	B	C	D
1	S440-0013	1860	515 2/2
2	S440-1025	2014	348 2/2
3	S440-1026	2014	348 2/2
4	S440-2006	680	348 1/2
5	S440-3014	649	328 1/2
6	S440-3016	649	328 1/2
7	S440-4020	649	60 1/2
8	S440-5013	1950	80 2/2
9	S440-5023	682	80 1/2
10	S440-5024	1950	80 2/2
11	S440-9304	1957	659 2/2



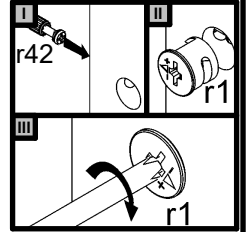
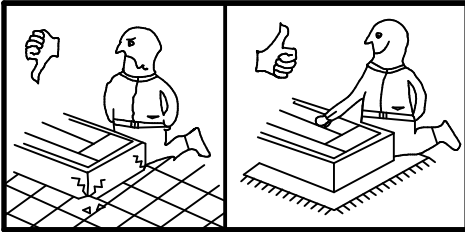
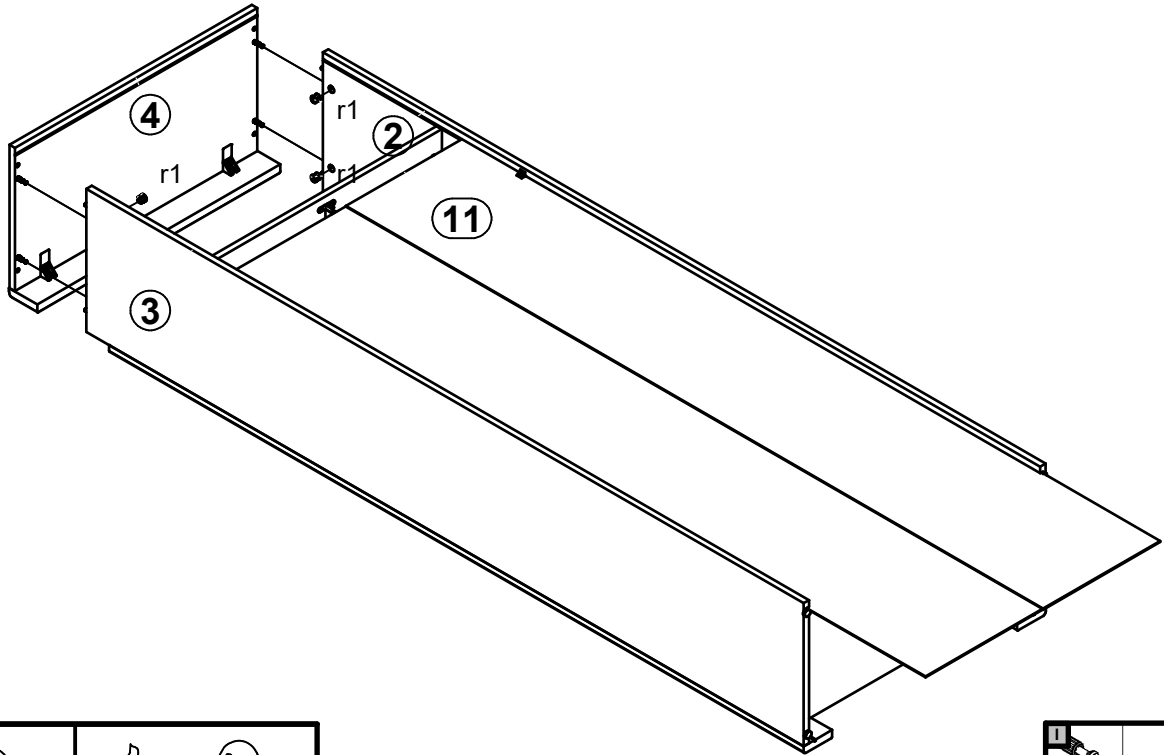
4x a132	4x b78	2x d36	8x d37	8x e2 Ø6.3x13 mm	20x f1 Ø8x30 mm	4x k1	15x l1 1.4x20 mm	11x i2
1x m6 L=300 mm	4x p27 Ø3.5x13 mm	40x p38 Ø3.5x16 mm	8x p51 Ø3.5x15 mm	16x r1 Ø15x12 mm #16	16x r42 20/11	1x z28\1	1x z28\2 82x9,5x6,5 mm	1x z28\3 20x20x1,5 mm
3x z28\4 Ø3x12mm	8x s2 Ø16	2x n14\2 88x21x15x1,5	2x f35 Ø10x50 mm	2x p17 Ø5x60 mm				

1 

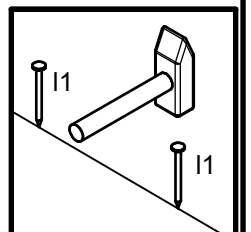
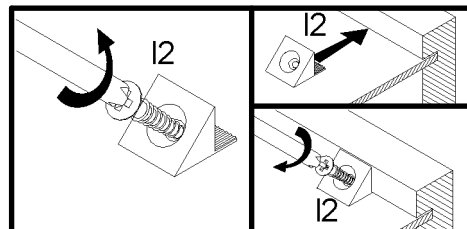
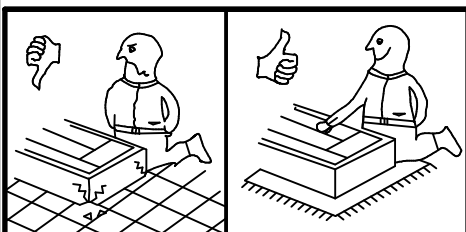
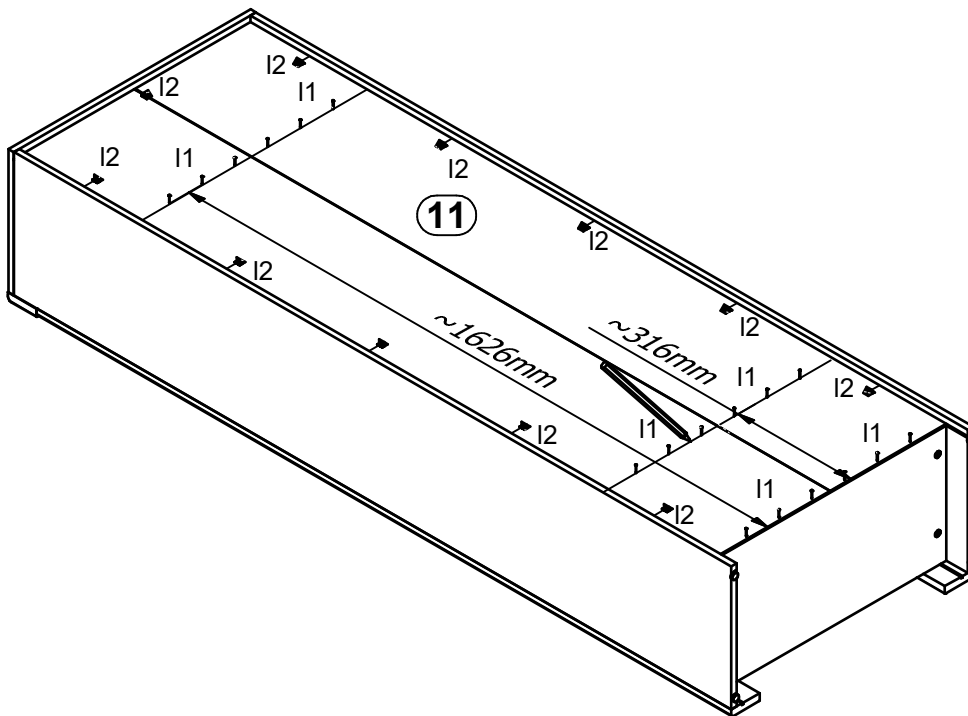




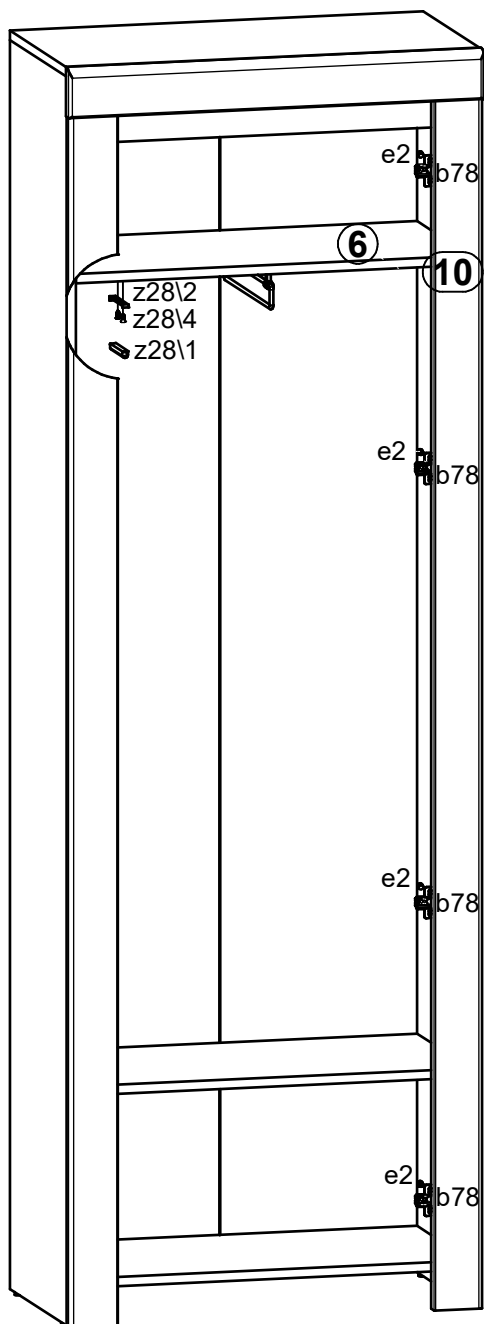
4



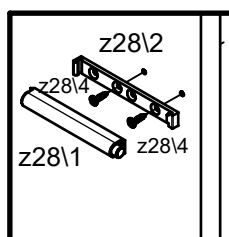
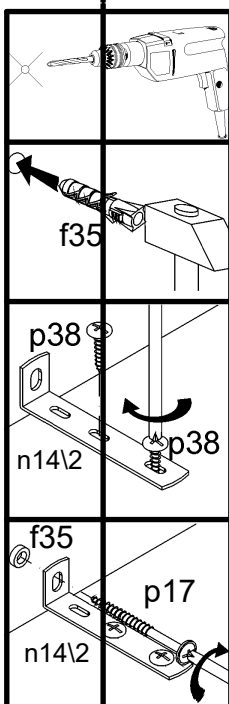
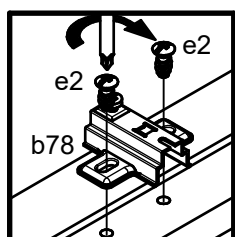
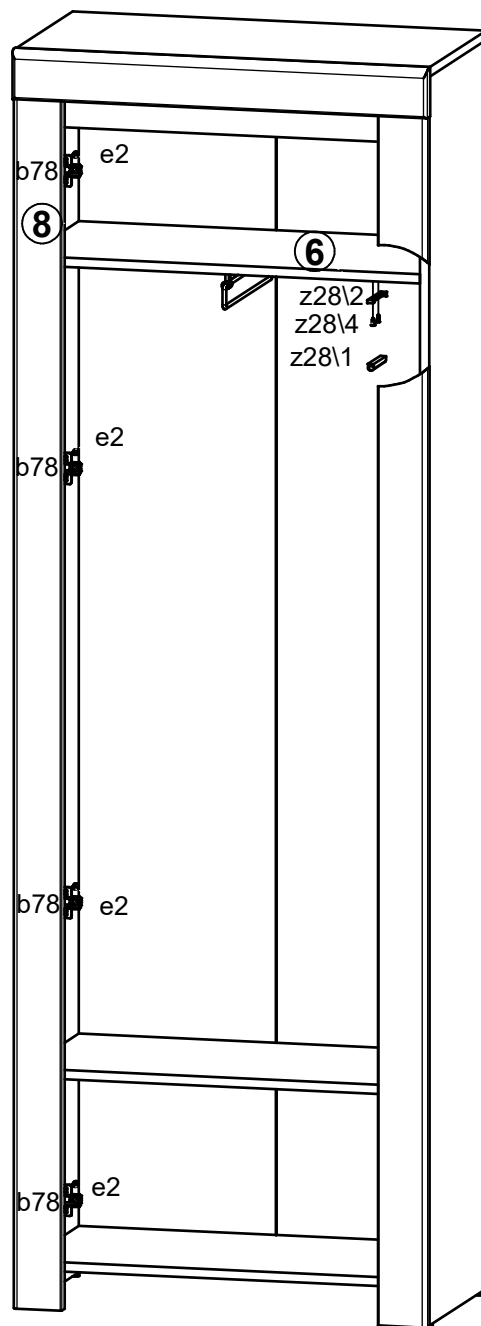
5



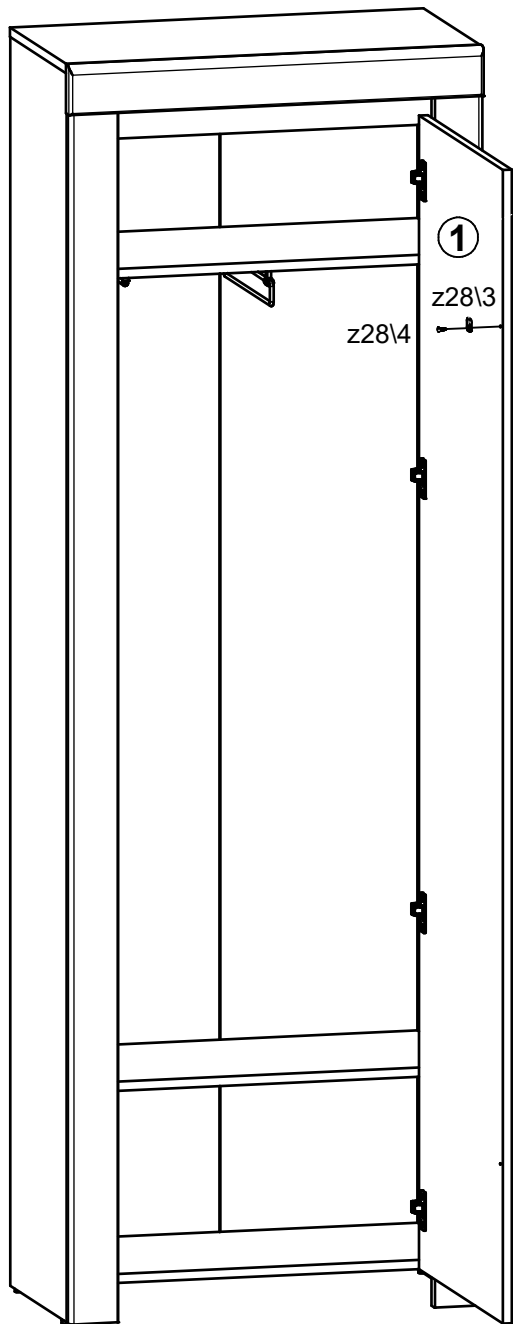
6A



6B



7A



7B

