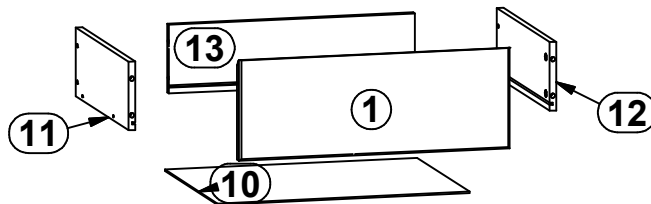
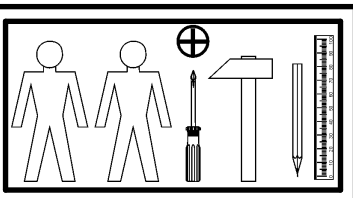
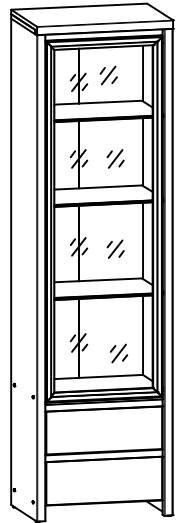
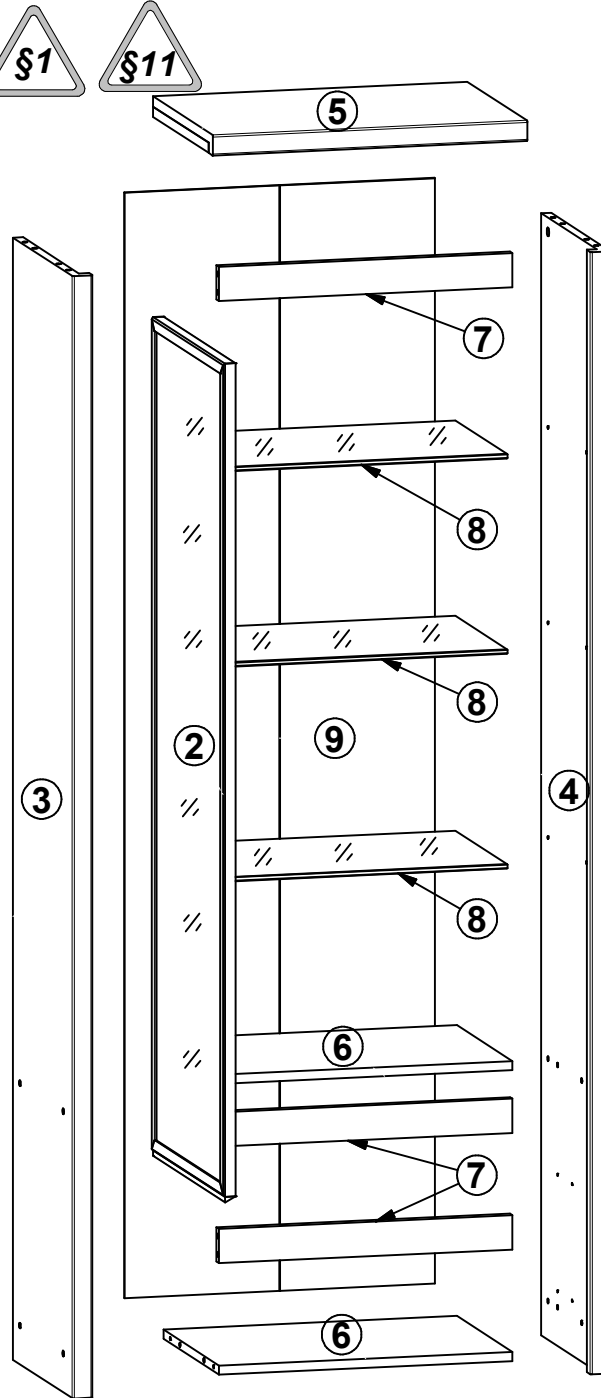


# KASPIAN

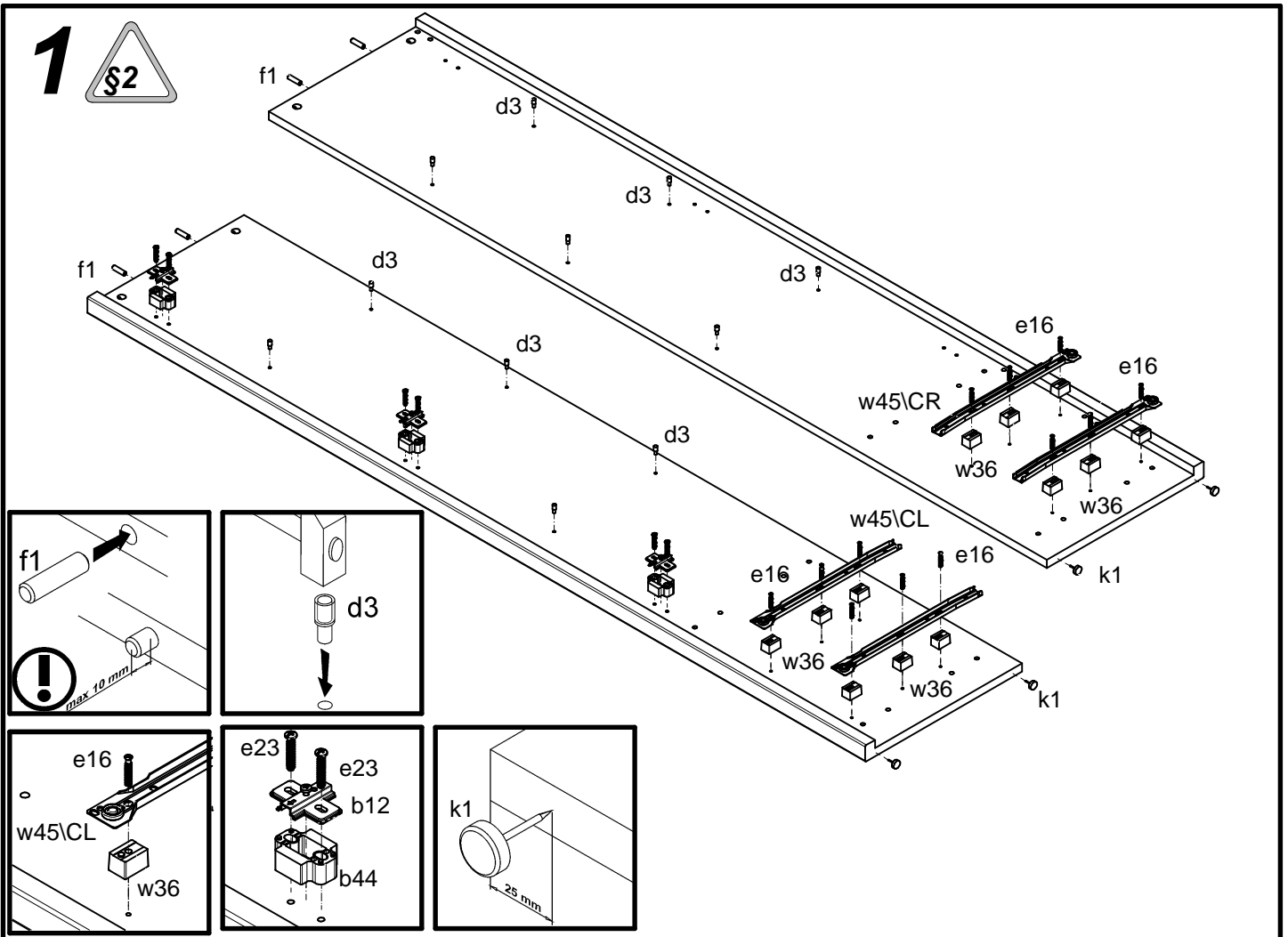
# REG1W2S

A	B	C	D	
1	S128-004	482	176	4/5 \ 10/13
2	S128-005 A	1468	479	5/5 \ 11/13
3	S128-105	1964	396	1/5 \ 1/13
4	S128-106	1964	396	1/5 \ 1/13
5	S128-203	560	399	2/5 \ 2/13
6	S128-304	523	370	2/5 \ 2/13
7	S128-405	523	60	2/5 \ 2/13
8	S128-501	521	345	3/5 \ 8/13
9	S128-904	1935	553	1/5 \ 1/13
10	S128-905	449	348	1/5 \ 1/13
11	ZS2-511	350	120	2/5 \ 2/13
12	ZS2-512	350	120	2/5 \ 2/13
13	ZS2-5512	438	120	2/5 \ 2/13

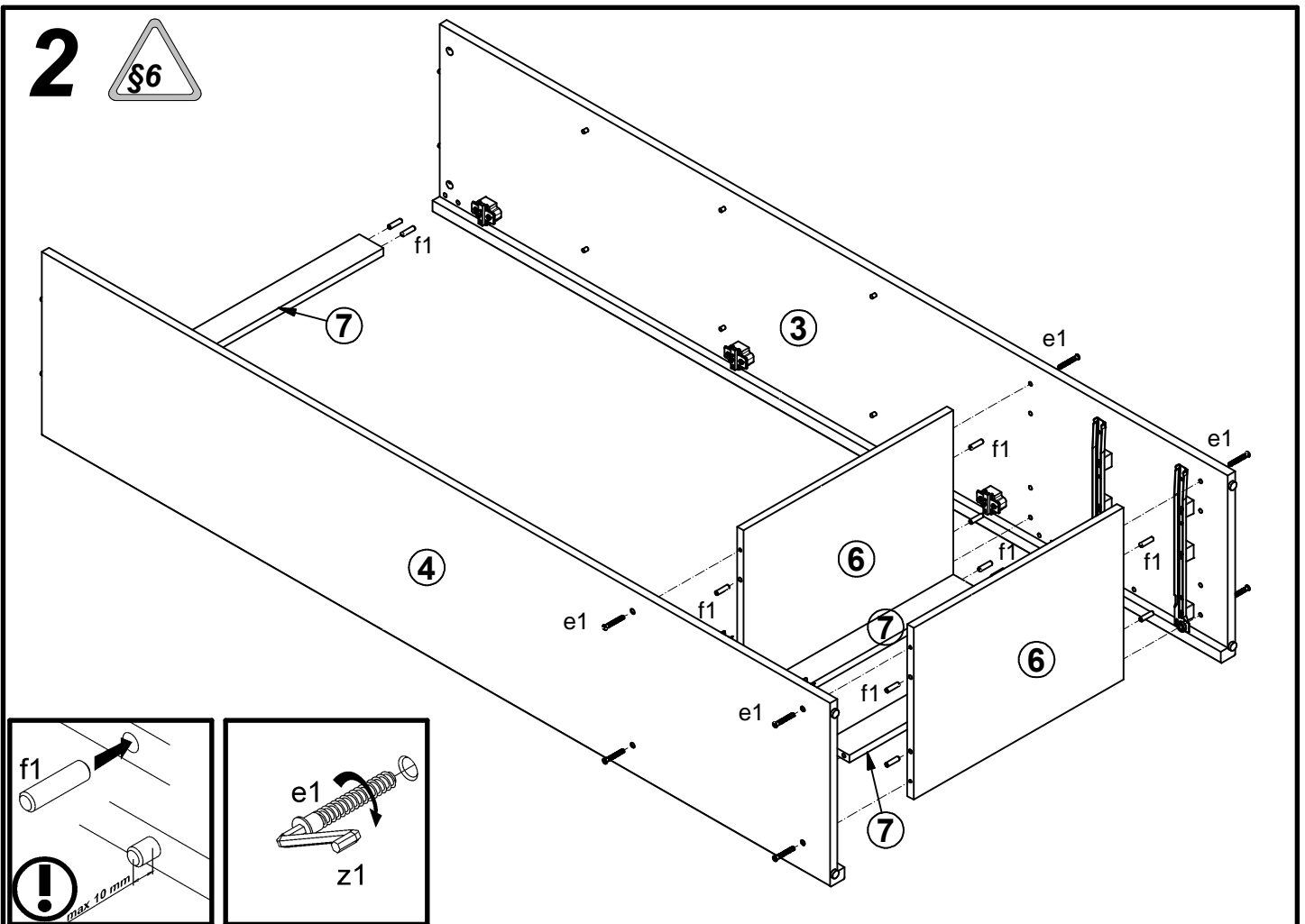


3x  a1	3x  b12	3x  b44	12x  φ5x17 mm d3	8x  φ7x50 mm e1	12x  φ6x30 mm e16	8x  φ5x9 mm e19	6x  φ6,3x30 mm e23	24x  φ8x30 mm f1
8x  φ6,5x40 mm f25	4x  k1	55x  l1	4x  φ15x12mm #16 r1	8x  φ12x10,5mm #12 r15	12x  r42	12x  h=18 mm w36	2x  350 mm w45 CL	2x  350 mm w45 CR
2x  350 mm w45 DL	2x  350 mm w45 DR	1x  z1	1x  n26 1	1x  φ3,5x16 mm p38	8x  s1	4x  ø16 s2	3x  ø26 mm s8	6x  ø5 s4

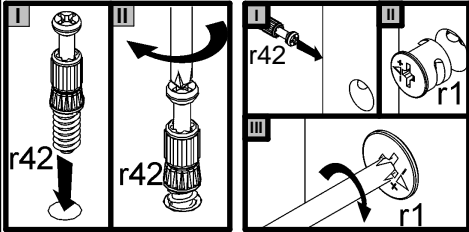
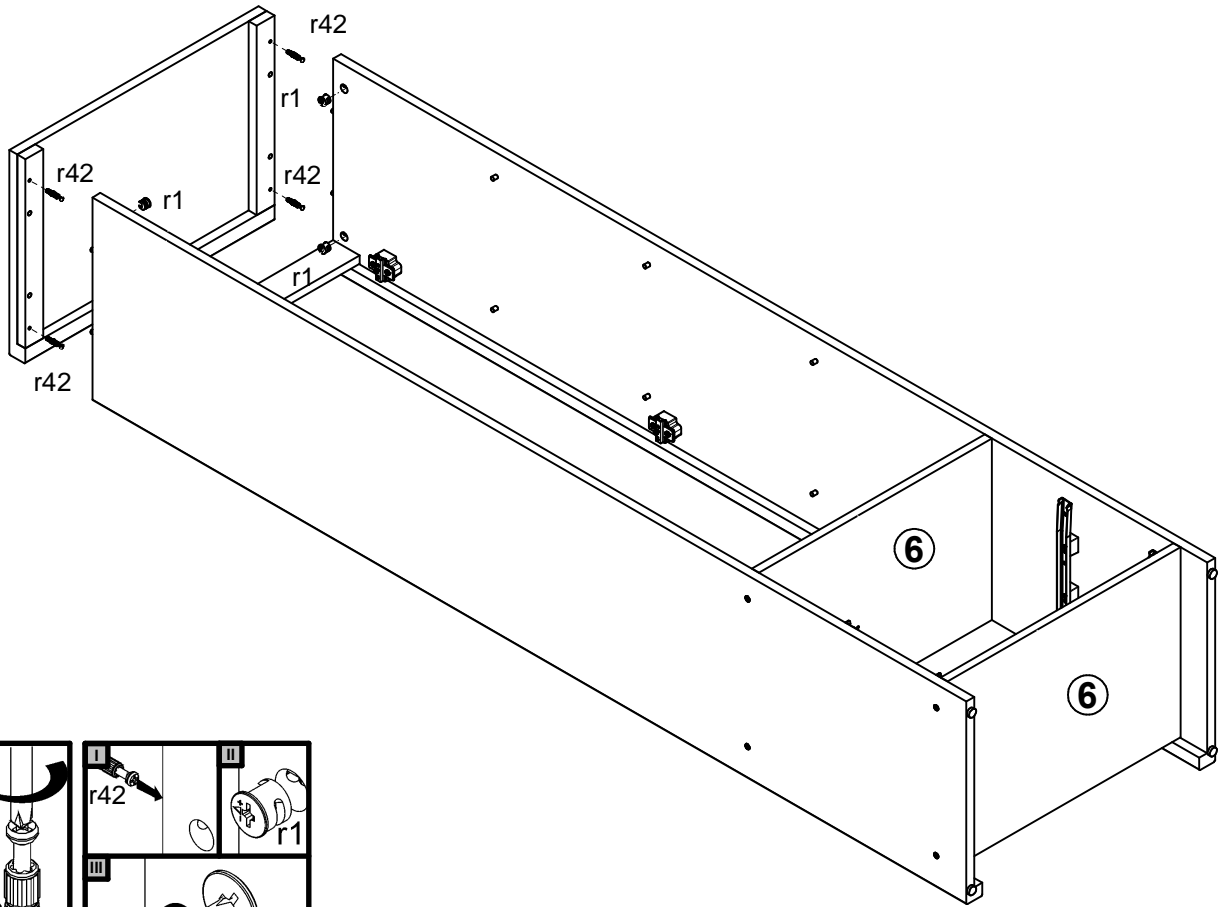
# 1



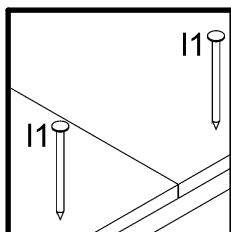
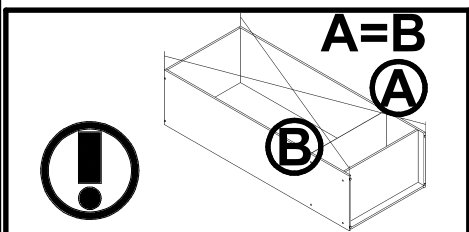
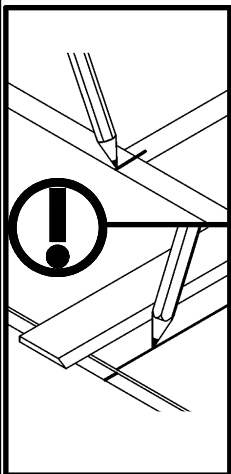
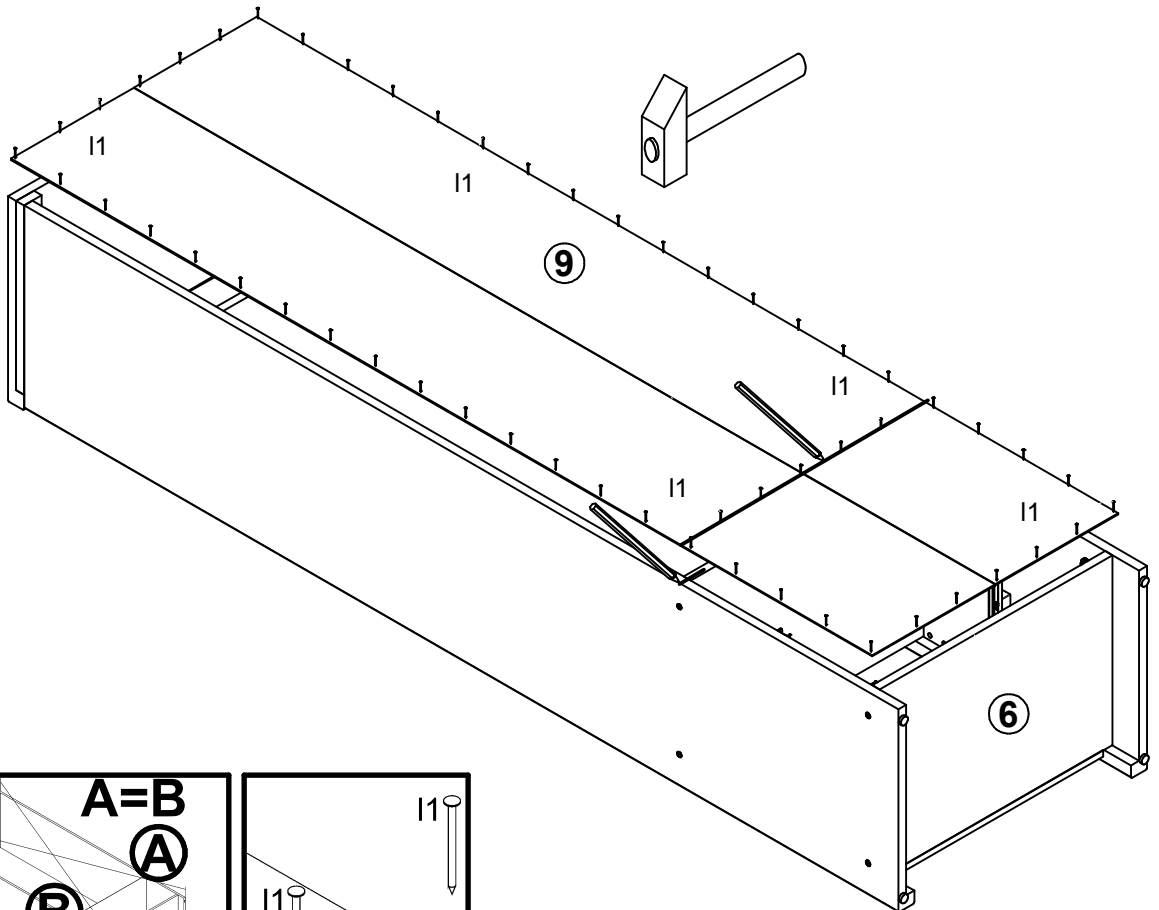
# 2



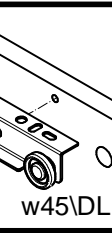
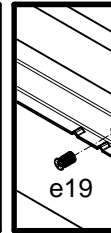
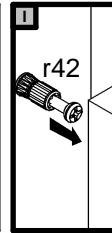
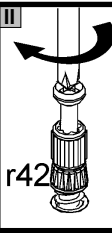
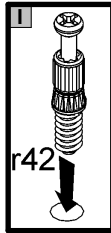
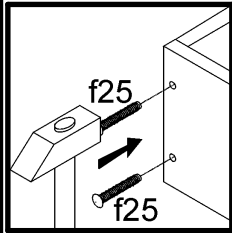
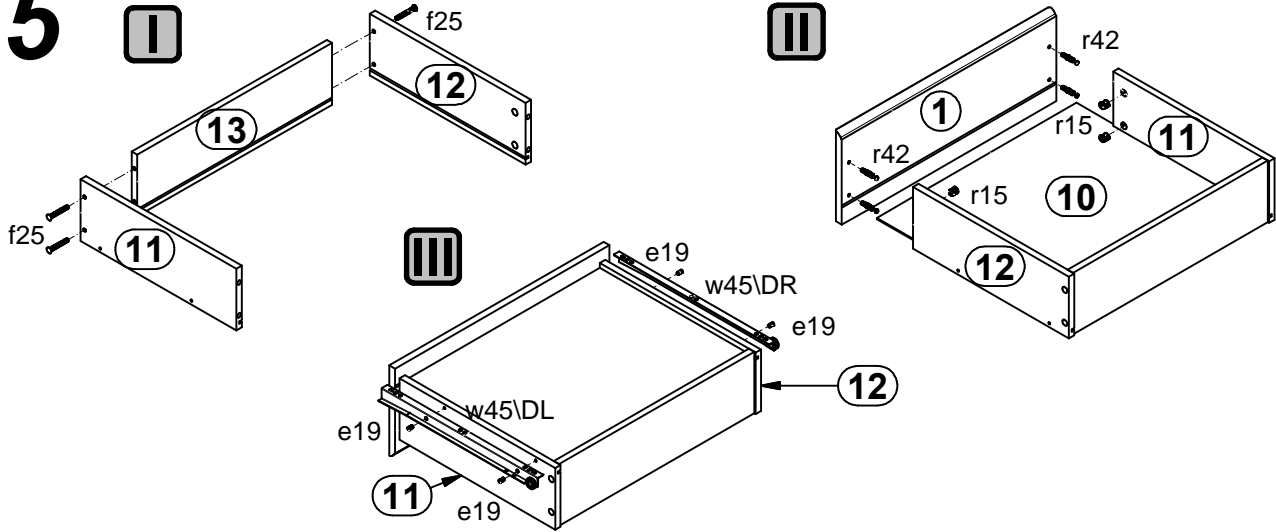
# 3



# 4



# 5



# 6

